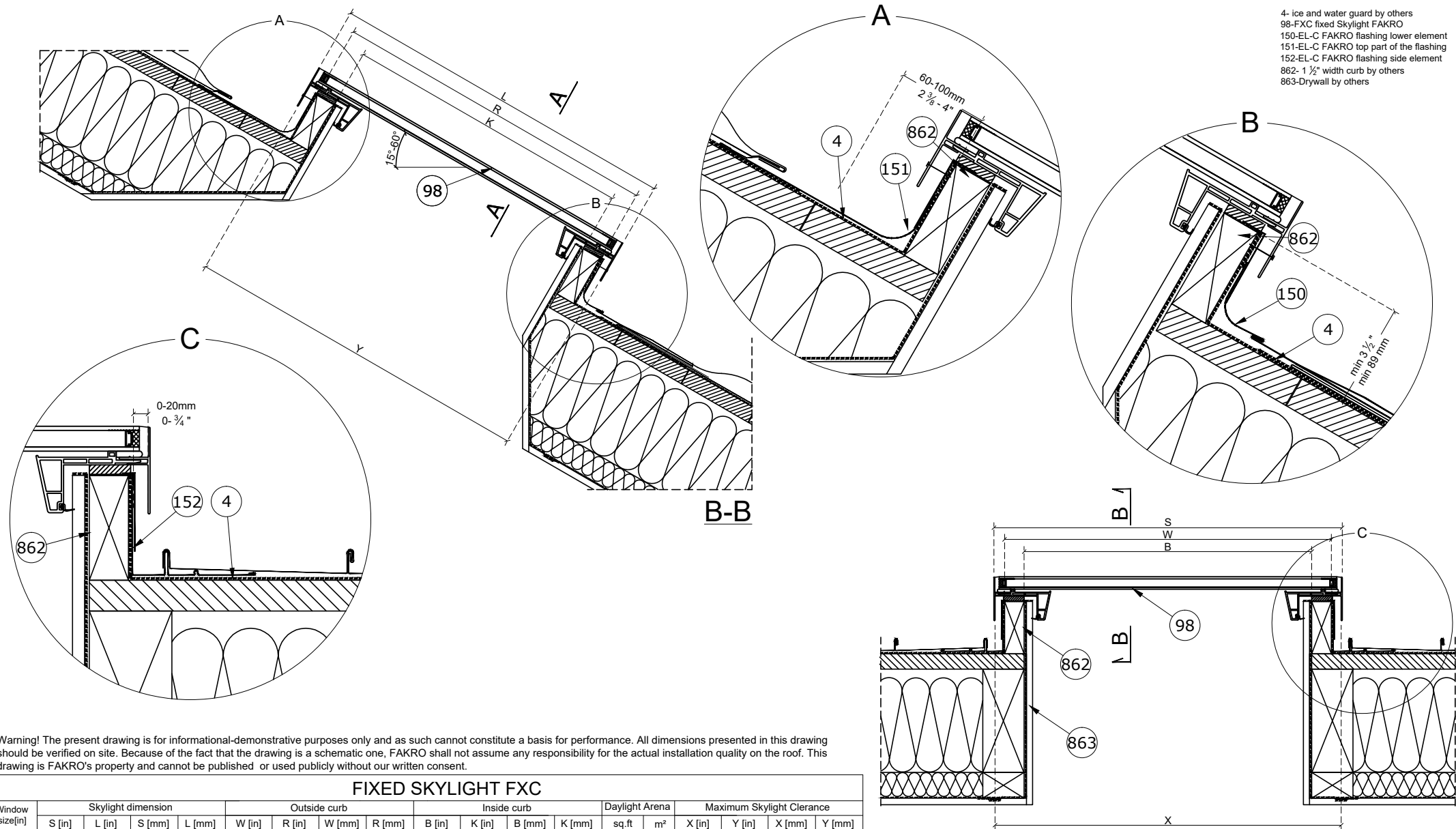


4- ice and water guard by others
 98-FXC fixed Skylight FAKRO
 150-EL-C FAKRO flashing lower element
 151-EL-C FAKRO top part of the flashing
 152-EL-C FAKRO flashing side element
 862- 1 1/2" width curb by others
 863-Drywall by others



Warning! The present drawing is for informational-demonstrative purposes only and as such cannot constitute a basis for performance. All dimensions presented in this drawing should be verified on site. Because of the fact that the drawing is a schematic one, FAKRO shall not assume any responsibility for the actual installation quality on the roof. This drawing is FAKRO's property and cannot be published or used publicly without our written consent.

FIXED SKYLIGHT FXC

Window size[in]	Skylight dimension				Outside curb				Inside curb				Daylight Arena		Maximum Skylight Clearance			
	S [in]	L [in]	S [mm]	L [mm]	W [in]	R [in]	W [mm]	R [mm]	B [in]	K [in]	B [mm]	K [mm]	sq.ft	m²	X [in]	Y [in]	X [mm]	Y [mm]
14x30	19 1/4	35 1/4	488	894	17 1/2	33 1/2	445	851	14 1/2	30 1/2	368	775	3.12	0.29	19	35	483	889
14x46	19 1/4	51 1/4	488	1300	17 1/2	49 1/2	445	1257	14 1/2	46 1/2	368	1181	4.63	0.43	19	51	483	1295
22x22	27 1/4	27 1/4	691	691	25 1/2	25 1/2	648	648	22 1/2	22 1/2	572	572	2.45	0.23	27	27	686	686
22x30	27 1/4	35 1/4	691	894	25 1/2	33 1/2	648	851	22 1/2	30 1/2	572	775	3.49	0.32	27	35	686	889
22x34	27 1/4	38 1/8	691	995	25 1/2	37 1/2	648	952	22 1/2	34 1/2	572	876	4.01	0.37	27	39	686	990
22x46	27 1/4	51 1/4	691	1300	25 1/2	49 1/2	648	1257	22 1/2	46 1/2	572	1181	5.58	0.52	27	51	686	1295
22x70	27 1/4	75 1/8	691	1909	25 1/2	73 1/2	648	1867	22 1/2	70 1/2	572	1790	8.71	0.81	27	75	686	1905
30x30	35 1/4	35 1/4	894	894	33 1/2	33 1/2	851	851	30 1/2	30 1/2	775	775	4.98	0.46	35	35	889	889
30x46	35 1/4	51 1/4	894	1300	33 1/2	49 1/2	851	1257	30 1/2	46 1/2	775	1181	7.95	0.74	35	51	889	1295
34x34	39 1/8	39 1/8	995	995	37 1/2	37 1/2	952	952	34 1/2	34 1/2	876	876	6.57	0.61	39	39	990	990
34x46	39 1/8	51 1/4	995	1300	37 1/2	49 1/2	952	1257	34 1/2	46 1/2	876	1181	9.13	0.85	39	51	990	1295
46x46	51 1/4	51 1/4	1300	1300	49 1/2	49 1/2	1257	1257	46 1/2	46 1/2	1181	1181	12.70	1.18	51	51	1295	1295

FXC Skylight

EH-C

SHINGLE

3/12 - 21/12
 15° - 60°

Vertical and horizontal cross-sections:
 FXC non-opening Skylight with flashing EH-C
 for Standing Seam

FORMAT
A4

SCALE
1:10/1:5

DATE:
11.2019