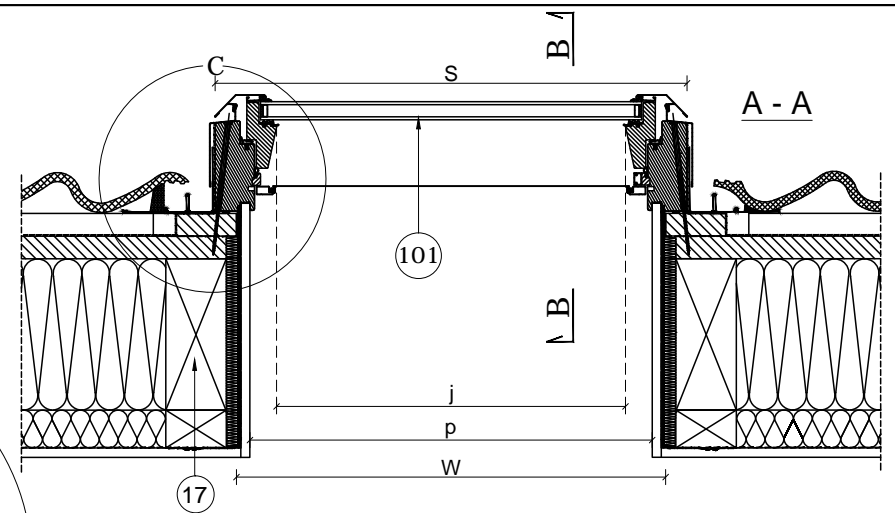
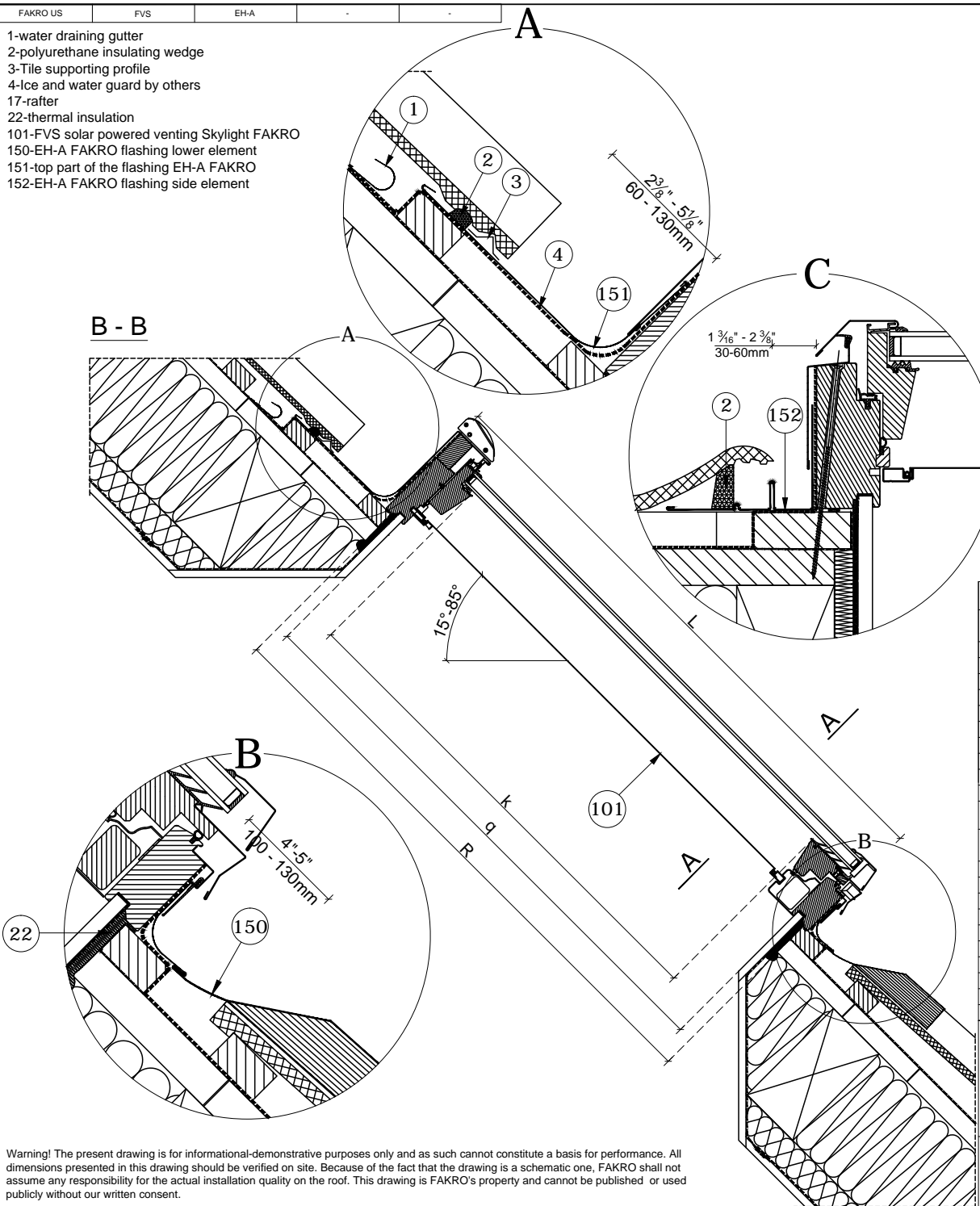


- 1-water draining gutter
- 2-polyurethane insulating wedge
- 3-Tile supporting profile
- 4-Ice and water guard by others
- 17-rafter
- 22-thermal insulation
- 101-FVS solar powered venting Skylight FAKRO
- 150-EH-A FAKRO flashing lower element
- 151-top part of the flashing EH-A FAKRO
- 152-EH-A FAKRO flashing side element



SOLAR POWERED VENTING SKYLIGHT FVS

Symbol	Commercial size		Window size	S [mm]	L [mm]	p [mm]	q [mm]	j [mm]	k [mm]	Rough opening	
	W [mm]	H [mm]	W [mm]							R [mm]	
301R	533	682	23x28	585	706	493	639	422	590	530	685
304R	533	962	23x39	585	986	493	919	422	870	530	965
306R	533	1162	23x47	585	1186	493	1119	422	1070	530	1165
308R	533	1382	23x56	585	1406	493	1339	422	1290	530	1385
312R	533	1784	23x71	585	1808	493	1741	422	1692	530	1787
504R	763	962	31x39	815	986	723	919	652	870	760	965
506R	763	1162	31x47	815	1186	723	1119	652	1070	760	1165
508R	763	1382	31x56	815	1406	723	1339	652	1290	760	1385
801R	1123	682	46 1/2 x28	1175	706	1083	639	1012	590	1120	685
806R	1123	1162	46 1/2 x47	1175	1186	1083	1119	1012	1070	1120	1165

SOLAR POWERED VENTING SKYLIGHT FVS

Symbol	Commercial size		Window size	S [in]	L [in]	p [in]	q [in]	j [in]	k [in]	Rough opening	
	W [in]	H [in]	W [in]							R [in]	
301R	21	26 7/8	23x28	23 3/8	28	19 1/16	25 1/16	16 5/8	20 1/16	21	27 1/2
304R	21	37 3/8	23x39	23 3/8	39	19 1/16	36 3/16	16 5/8	31 1/32	21	38 1/8
306R	21	45 3/4	23x47	23 3/8	46 7/8	19 1/16	44 1/16	16 5/8	39 3/32	21	46
308R	21	54 1/16	23x56	23 3/8	55 1/2	19 1/16	52 1/4	16 5/8	48 1/8	21	54 1/4
312R	21	70 1/4	23x71	23 3/8	71 1/8	19 1/16	68 1/2	16 5/8	63 3/16	21	70 1/2
504R	30 1/16	37 3/8	31x39	32 1/8	39	28 1/2	36 3/16	25 1/16	31 1/32	30	38 1/8
506R	30 1/16	45 3/4	31x47	32 1/8	46 7/8	28 1/2	44 1/16	25 1/16	39 3/32	30	46
508R	30 1/16	54 1/16	31x56	32 1/8	55 1/2	28 1/2	52 1/4	25 1/16	48 1/8	30	54 1/4
801R	44 1/4	26 1/8	46 1/2 x28	46 1/4	28	42 3/8	39 27/32	20 1/16	44	44	27 1/2
806R	44 1/4	45 3/4	46 1/2 x47	46 1/4	46 7/8	42 3/8	44 1/16	39 27/32	39 3/32	44	46

FAKRO	FVS Skylight	EH-A	TILE	15° - 85°

Vertical and horizontal cross-sections: FVS opening Skylight with flashing EH-A for profiled roofing materials	FORMAT A4	SCALE 1:10/1:5	DATE 04.2022
--	---------------------	--------------------------	------------------------

Warning! The present drawing is for informational-demonstrative purposes only and as such cannot constitute a basis for performance. All dimensions presented in this drawing should be verified on site. Because of the fact that the drawing is a schematic one, FAKRO shall not assume any responsibility for the actual installation quality on the roof. This drawing is FAKRO's property and cannot be published or used publicly without our written consent.