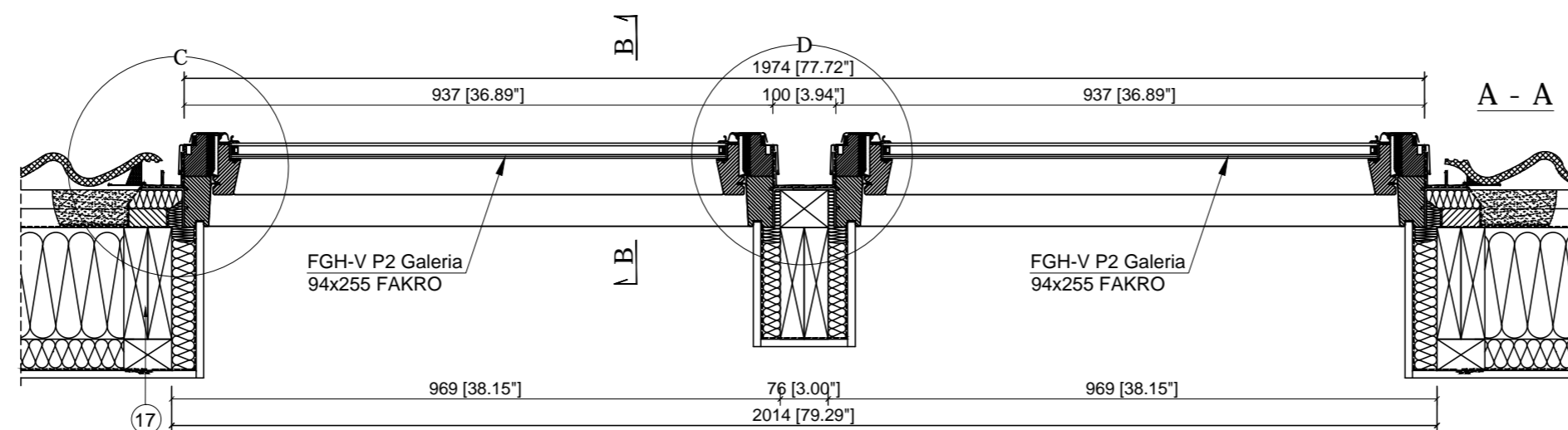
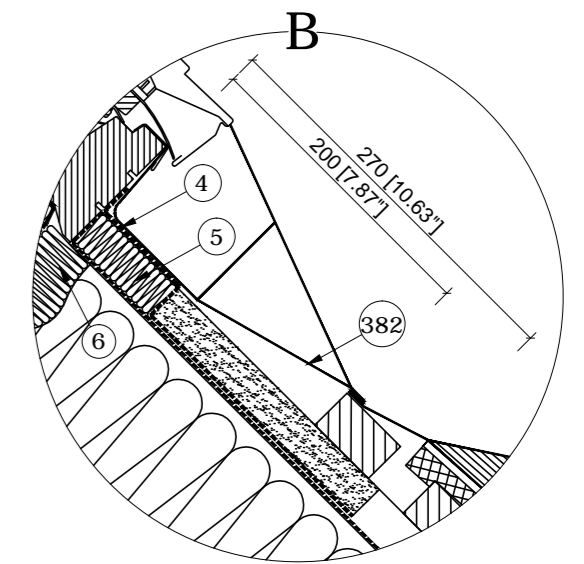
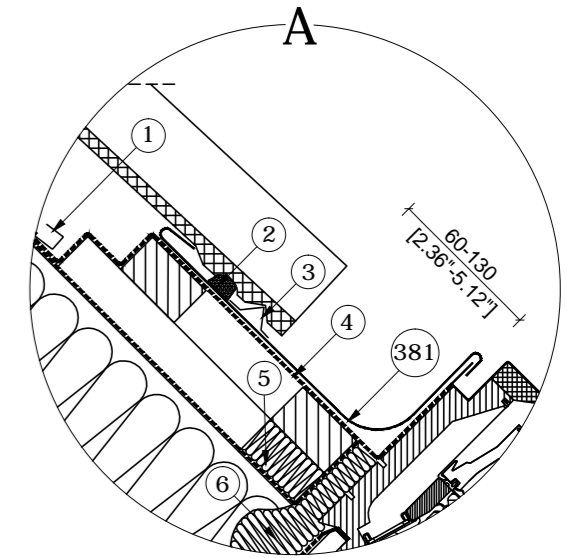
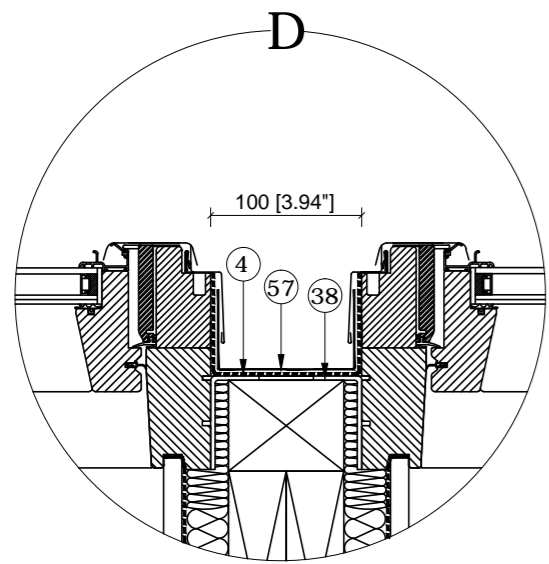
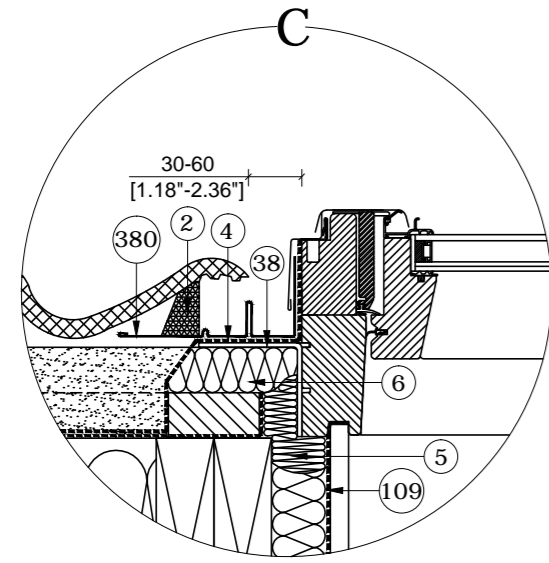
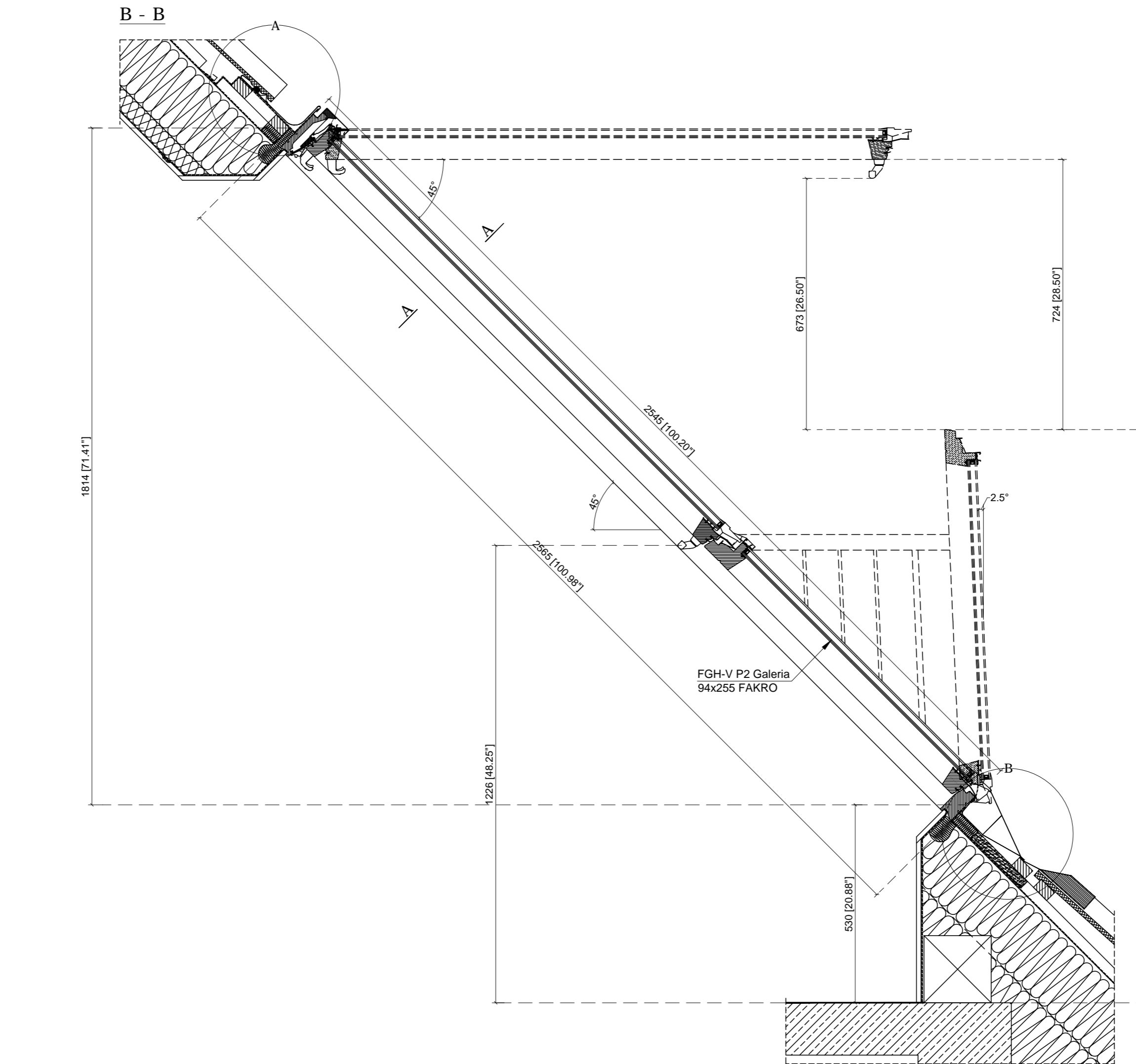


W001829015116



- 1-Water draining gutter
- 2-Polyurethane insulating wedge
- 3-Tile supporting profile
- 4-XDP FAKRO vapour permeable collar
- 5-Tress made of sheep wool FAKRO (XDP)
- 6-Blocks made of sheep wool FAKRO (XDP)
- 17-Rafter
- 38-Installation bracket FAKRO
- 57-Vertical joining gutter 100mm [3.94"]FAKRO
- 109-XDS air-tight flashing FAKRO
- 380-KHV-A/G THERMO FAKRO flashing side element
- 381-KHV-A/G THERMO FAKRO flashing upper element
- 382-KHV-A/G THERMO FAKRO flashing lower element

Subject:	Window type - FGH-V P2 Galeria 94x255 FAKRO	No.	Format	Scale
	Flashing type - KHV-A/G FAKRO	1	A2	1:10
	Combination - B2/1			1:5
Prepared for:	FAKRO USA	W001829015116	Date	18.10.2018

FAKRO		Technical Support Department	
DRWN BY:	Katarzyna Dulka (nrzew. 846)	CHK'D BY:	Slawomir Migacz

Warning! The present drawing is for informational-demonstrative purposes only and as such cannot constitute a basis for performance. All dimensions presented in this drawing should be verified on site. Because of the fact that the drawing is a schematic one, FAKRO shall not assume any responsibility for the actual installation quality on the roof. This drawing is FAKRO's property and cannot be published or used publicly without our written consent.