

TECHNICAL SPECIFICATION

ATTIC LADDER LWF-R INSULATED

I. APPLICATION

The **LWF-R Insulated** is a 3-section wooden loft ladder, featuring increased fire resistance parameters. The loft ladder insulated hatch is made of fire-retardant plywood.

II. STRUCTURE

No.	Element	Description
1	Hatch	Pinewood, insulated Thickness: 1 1/8" Thermal insulation thickness: 7/8"
2	Frame	Wooden. Height: 5 1/2"
3	Ladder	Wooden. Ladder width: 15" Stringer height: 3 1/8" Distance between steps: 9 7/8"
4	Steps	Wooden, equipped with anti-slip profile. Step width: 3 1/8" Step length: 13 3/8"
5	Standard Accessories	Metal handrail. Rod for opening.

III. DIMENSIONS

No.	Dimensions	Room height
1	22,5" x 54"	8' - 10'4"
2	25" x 54"	
3	30" x 54"	
4	22,5" x 54"	8'9 1/2" - 10'8"
5	25" x 54"	
6	30" x 54"	

IV. TECHNICAL PARAMETERS

Maximum loading*	350 lbs
Hatch board: Fire rating:	B-s1, d0 PN-EN 13501-1
Heat transfer coefficient	R-value: 5.2

*manufacturer's internal research

V. COMPATIBLE ACCESSORIES

Ladder balustrade LXB-U	The balustrade is available in one standard size 30" x 54" for all attic ladders
Box extension LXN-B	The standard box height is 4". While ordering the LXN please provide ladder type and size
Upper hatch LXW	The height of the upper hatch box is 7 3/4"
Plastic ends LXS	Available for all sizes
Metal handrail LXH	Installation to top segment, as an additional handrail on the left side, handrail 29 1/2"
Installation brackets LXX	Maximum ceiling height: 13 3/4"
LXM 3	Unloading mechanism (room height: min 8'6 3/8")



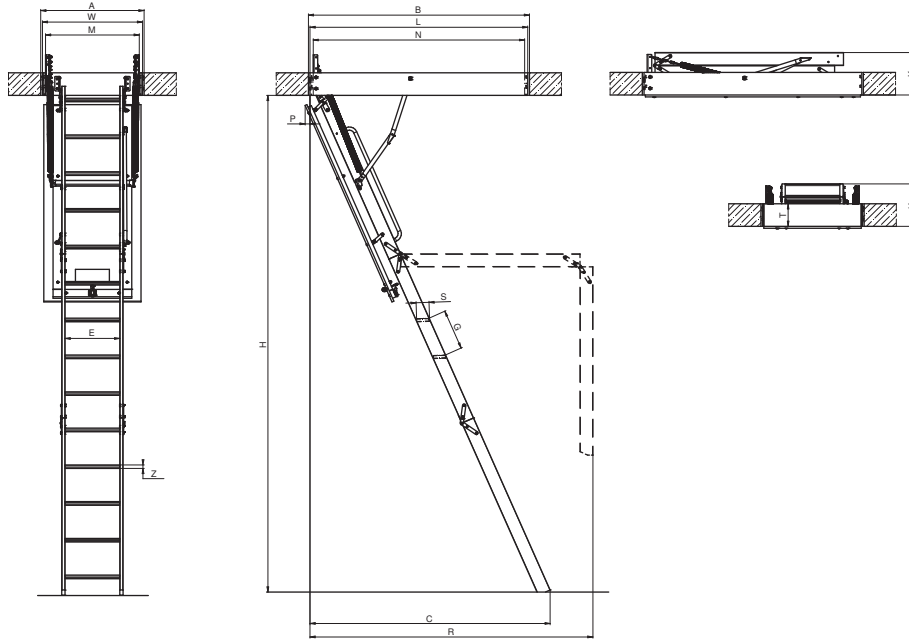
VI. ASSEMBLY INFORMATION

Attic ladder is fully assembled. The length of the last segment should be cut on-site to suit to existing ceiling height. Installation of the product must be carried out in accordance with the included fitting instructions.

Pre-installation, installation and safety instruction: <http://www.fakrousa.com/our-products/offer/-installation-instructions/>

Installation movies: <http://www.fakrousa.com/our-products/offer/attic-ladders/>

VII.DETAILED DIMENSIONS



LWF-R Insulated		22 1/2 x 54	25 x 54	30 x 54	22 1/2 x 54	25 x 54	30 x 54
Manufacturer's part number		869109	869110	869111	869416	869417	869418
Ceiling height	H	8' - 10'4"			8' 9 1/2" - 10' 8"		
Rough opening	AxB	22 1/2" x 54"	25" x 54"	30" x 54"	22 1/2" x 54"	25" x 54"	30" x 54"
Outside frame dimensions		22" x 53 1/2"	24 1/2" x 53 1/2"	29 1/2" x 53 1/2"	22" x 53 1/2"	24 1/2" x 53 1/2"	29 1/2" x 53 1/2"
Internal frame dimensions		20 1/2" x 51 3/4"	23" x 51 3/4"	28" x 51 3/4"	20 1/2" x 51 3/4"	23" x 51 3/4"	28" x 51 3/4"
Projection	R	67 1/8"			71 1/4"		
Landing space	C	49 7/8"			51 1/2"		
Folded ladder height	K	11"			11"		
Board movement after opening	P	1 1/2"			1 1/2"		
Step Length	E	13 3/8"			13 3/8"		
Step width	S	3 1/8"			3 1/8"		
Step thickness	Z	7/8"			7/8"		
Distance between steps	G	9 7/8"			9 7/8"		
Frame height		5 1/2"			5 1/2"		
Approx. Weight (lbs)		70,4	72,9	77,9	72	74,5	79,5