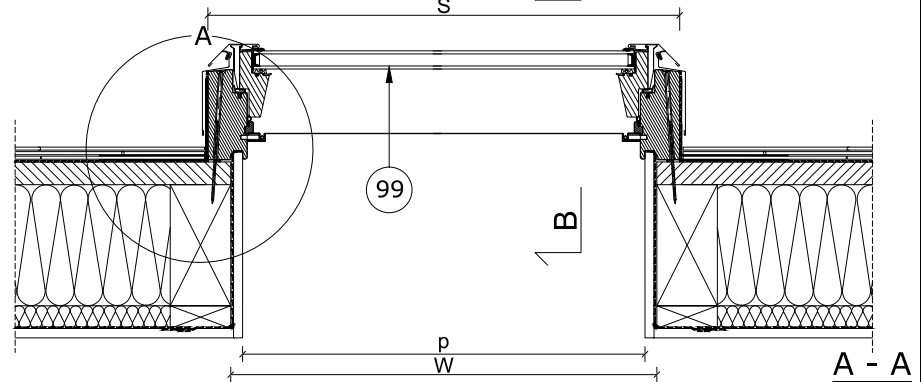


Warning! The present drawing is for informational-demonstrative purposes only and as such cannot constitute a basis for performance. All dimensions presented in this drawing should be verified on site. Because of the fact that the drawing is a schematic one, FAKRO shall not assume any responsibility for the actual installation quality on the roof. This drawing is FAKRO's property and cannot be published or used publicly without our written consent.

4-Ice and water guard by others  
 22-thermal insulation  
 99-FV opening Skylight FAKRO  
 147-top part of the flashing EL FAKRO  
 148-EL FAKRO flashing side element  
 149-EL FAKRO flashing lower element

### MANUAL OPENING SKYLIGHT FV

Window size[in] SxL	S [in]	S [mm]	L [in]	L [mm]	p [in]	p [mm]	q [in]	q [mm]	Rough opening			
									W [in]	W [mm]	R [in]	R [mm]
24x27	24 1/2	623	27 1/2	699	20 7/8	531	24 7/8	632	22 1/2	568	26 1/2	678
24x38	24 1/2	623	38 1/2	978	20 7/8	531	35 1/8	911	22 1/2	568	37 1/2	957
24x46	24 1/2	623	46 3/8	1178	20 7/8	531	43 3/4	1111	22 1/2	568	45 1/2	1157
24x55	24 1/2	623	55	1397	20 7/8	531	52 3/8	1330	22 1/2	568	54	1376
24x70	24 1/2	623	70 3/4	1797	20 7/8	531	68 1/8	1730	22 1/2	568	70	1776
32x38	32 1/2	826	38 1/2	978	28 7/8	734	35 7/8	911	30 1/2	771	37 1/2	957
32x46	32 1/2	826	46 3/8	1178	28 7/8	734	43 3/4	1111	30 1/2	771	45 1/2	1157
32x55	32 3/8	826	55	1397	28 7/8	734	52 3/8	1330	32 3/8	771	54	1376
48x27	48 1/2	1232	27 1/2	699	44 7/8	1140	24 7/8	632	46 1/2	1177	26 1/2	678
48x46	48 1/2	1232	46 3/8	1178	44 7/8	1140	43 3/4	1111	46 1/2	1177	45 1/2	1157



**FAKRO**

FV Skylight 	EL 	SLATE 	15° - 85° 
-----------------	--------	-----------	---------------

Vertical and horizontal cross-sections:  
 FV opening Skylight with flashing EL  
 for flat tiled roofs

FORMAT  
A4

SCALE  
1:10/1:5

DATE  
08.2024