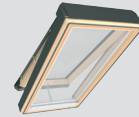
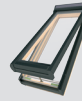


TECHNICAL SPECIFICATION



Solar Venting Skylight FVS



I. APPLICATION

Installation	required roof pitch 15°-85°
	deck mounted

II. FEATURES

Frame material	Pine - Pressure Treated
Frame finish	Two layers of clear acrylic lacquer
Glazing	G31 - Low-E tempered over laminated - double-pane glazing unit with warm TGI spacer and Argon gas
Rain sensor	Automatically closes the skylight in case of rain
Gaskets System	Three rubber gaskets
Control	Remote control (z-wave radio communication)
Warranty	10 years for skylight and glazing, 2 years on electric motor and remote control

III. TECHNICAL PARAMETERS

Technical parameters	Glazing unit type		
	Unit	G31	Rating
U-factor	[BTU/h ft²F]	0.41	NFRC 100
Ug for glazing unit	[BTU/h ft²F]	0.19	EN 1279-5 + A2:2010
Solar Heat Gain Coefficient	-	0.19	NFRC 200
Air Leakage	[cfm/ft²] @ 1,57 psf, tested size 24x70	0.04	
Visible Transmittance	-	0.36	NFRC 200
UV protection	-	99.8	NFRC 500
Condensation Resistance	-	65	NFRC 500
Water Penetration Resistance Test Pressure	[Pa]	730	
Wind load resistance		Class C1/B1	EN 1279-5 + A2:2010
Impact resistance		Class 3 – 450 mm	

IV. ADDITIONAL PRODUCTS TO BE USED

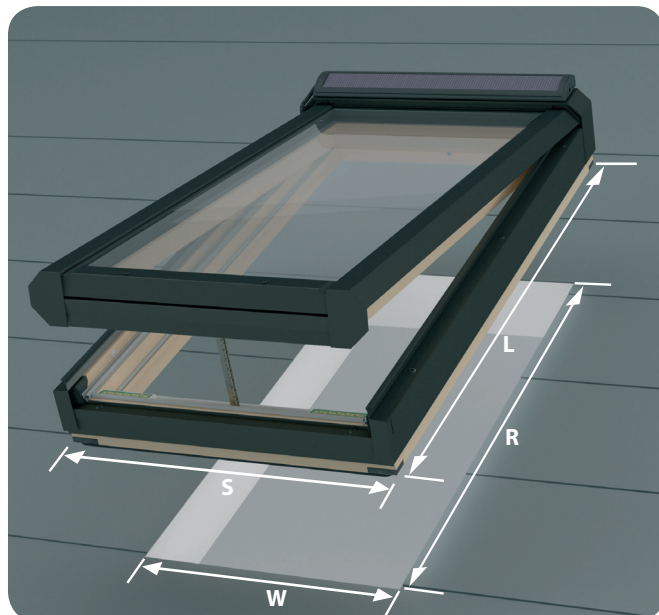
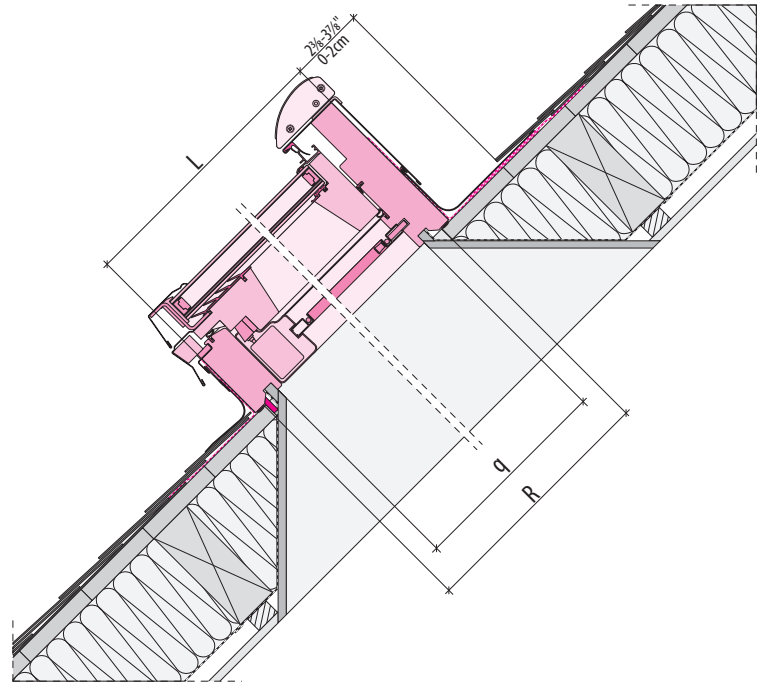
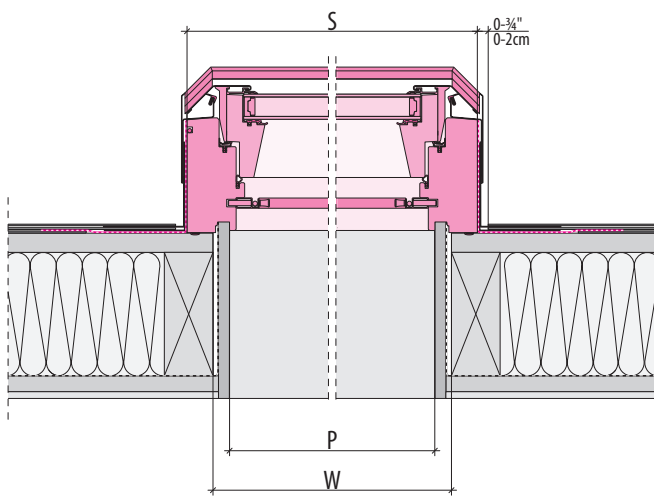
Flashings	- EH - for roof tiles, corrugated metal and standing seam - EL - for shingles and shakes
Ice and Water Guard	- Fakro Euroband or similar self-adhesive underlayment
Included mounting accessories	- Bit PH2 - Bit PH3 - Nail 2,5x25mm - Base pin - Countersunk head screw 4x30 A2 RAL 7022 - Countersunk head screw 6x200 galvanized PZ3
External accessories	- SMZ solar awning blind
Internal accessories	- SRF blackout blind, SRP light reducing blind

Features:

- suitable for roof pitches between 15-85 degrees
- low-emission and heat-reflecting double glazed glass
- warm spacer increases condensation resistance
- perimeter gasket underneath the frame
- double seals between the frame and the sash
- internal gasket system to collect and drain any condensation water to the outside
- mosquito screen included
- integrated rain sensors
- remote control included
- range of internal and external accessories
- equipped with a Z-wave radio control system, allowing for smart home system integration
- solar powered with built in battery, no need to run electrical wiring

V. DIMENSIONS

Size		301	304	306	308	312	504	506	508	801	806
Rough opening (WxR)	in.	22 ¹ / ₂ x 26 ¹ / ₂	22 ¹ / ₂ x 37 ¹ / ₂	22 ¹ / ₂ x 45 ¹ / ₂	22 ¹ / ₂ x 54	22 ¹ / ₂ x 70	30 ¹ / ₂ x 37 ¹ / ₂	30 ¹ / ₂ x 45 ¹ / ₂	30 ¹ / ₂ x 54	46 ¹ / ₂ x 26 ¹ / ₂	46 ¹ / ₂ x 45 ¹ / ₂
Outside frame (SxL)	in.	24 ¹ / ₂ x 27 ¹ / ₂	24 ¹ / ₂ x 38 ¹ / ₂	24 ¹ / ₂ x 46 ³ / ₈	24 ¹ / ₂ x 55	24 ¹ / ₂ x 70 ³ / ₄	32 ¹ / ₂ x 38 ¹ / ₂	32 ¹ / ₂ x 46 ³ / ₈	32 ¹ / ₂ x 55	48 ¹ / ₂ x 27 ¹ / ₂	48 ¹ / ₂ x 46 ³ / ₈
Daylight area (glass)	sq. ft.	2.58	3.98	4.95	6.03	7.97	5.70	7.10	8.61	5.92	11.41
	m ²	0.24	0.37	0.46	0.56	0.74	0.53	0.66	0.80	0.55	1.06
Finished opening (pxq)	in.	20 ⁷ / ₈ x 24 ⁷ / ₈	20 ⁷ / ₈ x 35 ⁷ / ₈	20 ⁷ / ₈ x 43 ³ / ₄	20 ⁷ / ₈ x 52 ³ / ₈	20 ⁷ / ₈ x 68 ¹ / ₈	28 ⁷ / ₈ x 35 ⁷ / ₈	28 ⁷ / ₈ x 43 ³ / ₄	28 ⁷ / ₈ x 52 ³ / ₈	44 ⁷ / ₈ x 24 ⁷ / ₈	44 ⁷ / ₈ x 43 ³ / ₄



FAKRO America LLC
39 W. Factory Road, Addison, IL
Ph: 630-543-1010 / office@fakrousa.com