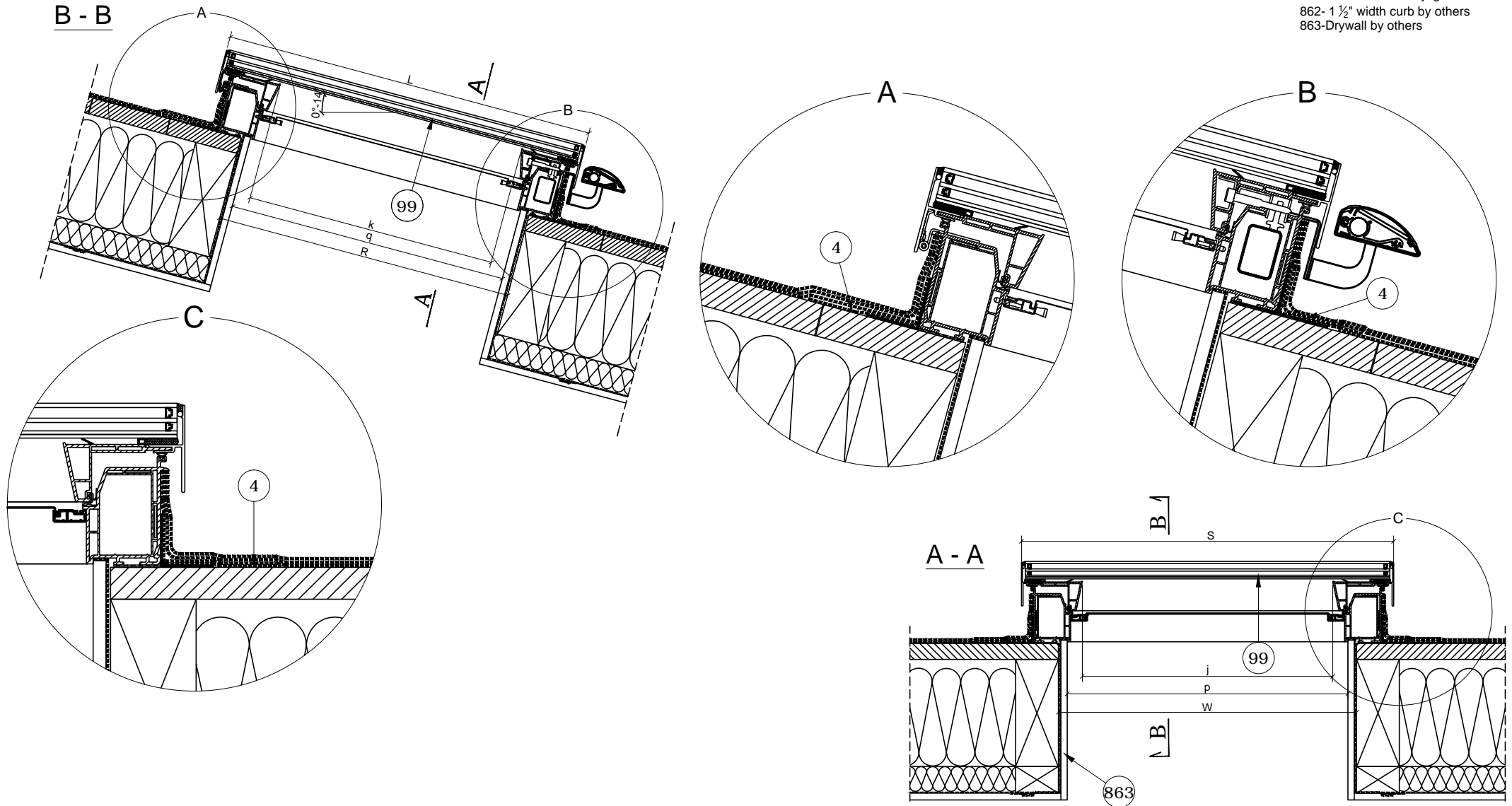


4- ice and water guard by others
 99-PDS G53 solar Skylight FAKRO
 862- 1 1/2" width curb by others
 863-Drywall by others



Warning! The present drawing is for informational-demonstrative purposes only and as such cannot constitute a basis for performance. All dimensions presented in this drawing should be verified on site. Because of the fact that the drawing is a schematic one, FAKRO shall not assume any responsibility for the actual installation quality on the roof. This drawing is FAKRO's property and cannot be published or used publicly without our written consent.

SOLAR SKYLIGHT PDS G53

Window size[in]	S [mm]	L [mm]	S [in]	L [in]	p [mm]	q [mm]	p [in]	q [in]	W [mm]	R [mm]	W [in]	R [in]	j [mm]	k [mm]	j [in]	k [in]
21 x 26 7/8	666	815	26 3/4	32 1/2	495	644	19 1/2	25 3/8	533	682	21	26 7/8	439	588	17 3/4	23 1/2
21 x 37 7/8	666	1095	26 3/4	43 3/8	495	924	19 1/2	36 3/8	533	962	21	37 7/8	439	868	17 3/4	34 1/2
21 x 45 3/4	666	1295	26 3/4	51	495	1124	19 1/2	44 1/4	533	1162	21	45 3/4	439	1068	17 3/4	42
21 x 54 7/16	666	1515	26 3/4	59 5/8	495	1344	19 1/2	52 7/8	533	1382	21	54 7/16	439	1288	17 3/4	50 3/4
30 1/16 x 37 7/8	896	1095	35 1/4	43 3/8	725	924	28 1/2	36 3/8	763	962	30 1/16	37 7/8	669	868	26 3/8	34 1/2
30 1/16 x 45 3/4	896	1295	35 1/4	51	725	1124	28 1/2	44 1/4	763	1162	30 1/16	45 3/4	669	1068	26 3/8	42
44 1/4 x 26 7/8	1256	815	49 1/2	32 1/2	1085	644	42 3/4	25 3/8	1123	682	44 1/4	26 7/8	1029	588	40 1/2	23 1/2

	PDX G53 Skylight	BITUMINOUS ROOFING	0/12 - 3/12 0° - 14°
Vertical and horizontal cross-sections: PDS G53 solar Skylight without flashing	FORMAT A4	SCALE 1:10/1:5	DATE: 07.2024