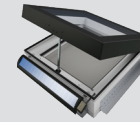


TECHNICAL SPECIFICATION

Deck Mounted Solar Venting Skylight PDS



I. APPLICATION

Installation	0°-60°
	0°-14° (no flashing required) 15°-60° (EL-D or EH-D flashing required)
deck mounted	

II. FEATURES

Inner frame material	Multi chamber, insulated PVC frame with white finish (EPS insulation)
Outer frame material	Aluminum with black finish (powder coated, RAL9005)
Glazing	G53 Low-E laminated, triple-pane glazing unit with warm TGI spacer and argon gas
Control	Remote control (ZRH12 z-wave)
Power supply	PV solar panel with integrated battery and rain sensor
Warranty	10 years for skylights 20 years for laminated glass against hail (restrictions apply) 2 years for electrical elements and gas springs

III. TECHNICAL PARAMETERS

Technical parameters	Glazing unit type		
	Unit	G53	Rating
U-factor	[BTU/h ft²F]	0.29	NFRC 100 / NFRC 200
Solar Heat Gain Coefficient	-	0.17	NFRC 100 / NFRC 200
Air Leakage	[cfm/ft²] @ 1,57 psf, tested size 46x46	-	NAFS 2017 & CSA A440S1:19
Visible Transmittance	-	0.33	NFRC 100 / NFRC 200
UV protection	-	99.8	EN 410-2011
Condensation Resistance	-	67	NFRC 100 / NFRC 200
Water Penetration Resistance Test Pressure	[Pa]	720	NAFS 2017 & CSA A440S1:19








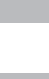

IV. ADDITIONAL PRODUCTS TO BE USED

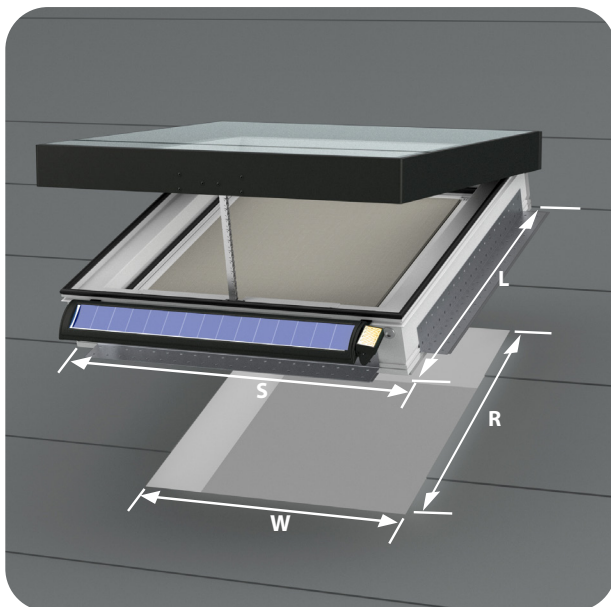
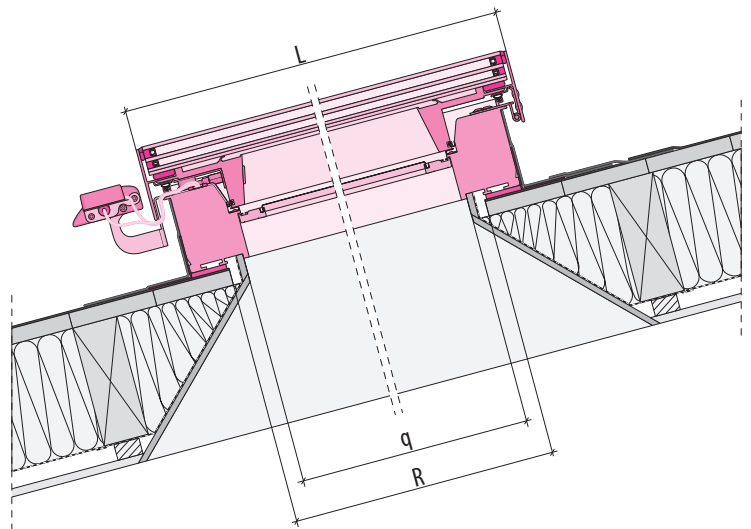
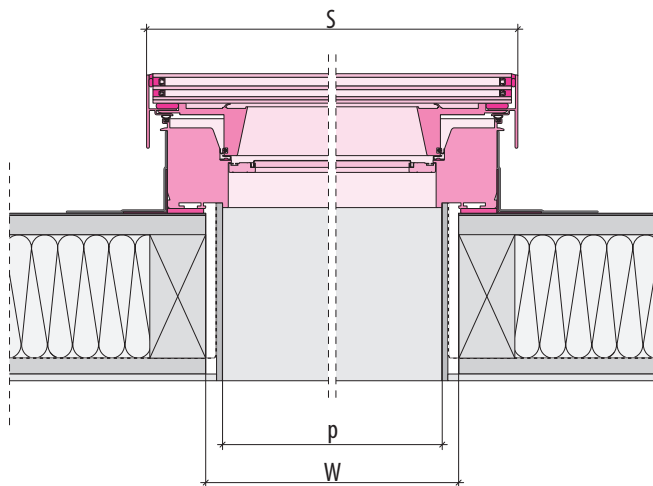
Flashings	EH-D - for roof tiles, corrugated metal and standing seam EL-D - for shingles and shakes
Ice and Water Guard	- FAKRO Euroband or similar self-adhesive underlayment
Internal accessories	- SRF blackout blind, SRP light reducing blind



- suitable for roof pitches between 0-60 degrees
- infinity glass – virtually frameless surface
- low-emission and heat-reflecting double glazing or triple glazing with argon gas
- white finished PVC frame interior
- mosquito screen included
- powered by solar panel with built in battery and rain sensors
- warm spacer increases condensation resistance
- channel built into the inner frame of the skylight collects moisture and drains it to the outside
- hardware included (bit torx t20 and installation screws #10 x 2 in.)

V. DIMENSIONS

									
Size	21 x 26 ⁷ / ₈	21 x 37 ⁷ / ₈	21 x 45 ³ / ₄	21 x 54 ⁷ / ₁₆	30 ¹ / ₁₆ x 37 ⁷ / ₈	30 ¹ / ₁₆ x 45 ³ / ₄	30 ¹ / ₁₆ x 54 ⁷ / ₁₆	44 ¹ / ₄ x 26 ⁷ / ₈	44 ¹ / ₄ x 45 ³ / ₄
Rough opening (WxR) in.	21x26 ⁷ / ₈	21x37 ⁷ / ₈	21x45 ³ / ₄	21x54 ⁷ / ₁₆	30 ¹ / ₁₆ x37 ⁷ / ₈	30 ¹ / ₁₆ x45 ³ / ₄	30 ¹ / ₁₆ x54 ⁷ / ₁₆	44 ¹ / ₄ x26 ⁷ / ₈	44 ¹ / ₄ x45 ³ / ₄
Frame external size (SxL) in.	26 ¹ / ₄ x32 ¹ / ₈	26 ¹ / ₄ x43 ¹ / ₈	26 ¹ / ₄ x51	26 ¹ / ₄ x59 ⁵ / ₈	35 ¹ / ₄ x43 ¹ / ₈	35 ¹ / ₄ x51	35 ¹ / ₄ x59 ⁵ / ₈	49 ¹ / ₂ x32 ¹ / ₈	49 ¹ / ₂ x51



FAKRO America LLC
39 W. Factory Road, Addison, IL
Ph: 630-543-1010 / office@fakrousa.com