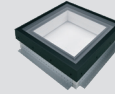


TECHNICAL SPECIFICATION

Deck Mounted Fixed Skylight PDX



I. APPLICATION

| | |
|--------------|---|
| Installation | 0°-60° 0°-14° (no flashing required) 15°-60° (EL-D or EH-D flashing required) |
| | deck mounted |

II. FEATURES

| | |
|----------------------|--|
| Inner frame material | Multi chamber, insulated PVC frame with white finish (EPS insulation) |
| Outer frame material | Aluminum with black finish (powder coated, RAL9005) |
| Glazing | G53 Low-E laminated, triple-pane glazing unit with warm TGI spacer and argon gas |
| Warranty | 10 years for skylights 20 years for laminated glass against hail (restrictions apply) |

III. TECHNICAL PARAMETERS

| Technical parameters | Glazing unit type | | |
|--|---|------|---------------------------|
| | Unit | G53 | Rating |
| U-factor | [BTU/h ft²F] | 0.29 | NFRC 100 / NFRC 200 |
| Solar Heat Gain Coefficient | - | 0.17 | NFRC 100 / NFRC 200 |
| Air Leakage | [cfm/ft²] @ 1,57 psf, tested size 46x46 | - | NAFS 2017 & CSA A440S1:19 |
| Visible Transmittance | - | 0.33 | NFRC 100 / NFRC 200 |
| UV protection | - | 99.8 | EN 410-2011 |
| Condensation Resistance | - | 67 | NFRC 100 / NFRC 200 |
| Water Penetration Resistance Test Pressure | [Pa] | 720 | NAFS 2017 & CSA A440S1:19 |

IV. ADDITIONAL PRODUCTS TO BE USED

| | |
|----------------------|---|
| Flashings | EH-D - for roof tiles, corrugated metal and standing seam EL-D - for shingles and shakes |
| Ice and Water Guard | - FAKRO Euroband or similar self-adhesive underlayment |
| Internal accessories | - SRF blackout blind, SRP light reducing blind |

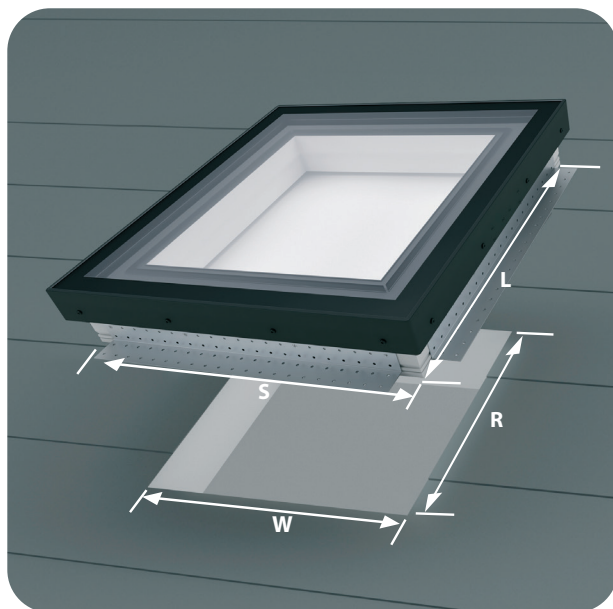
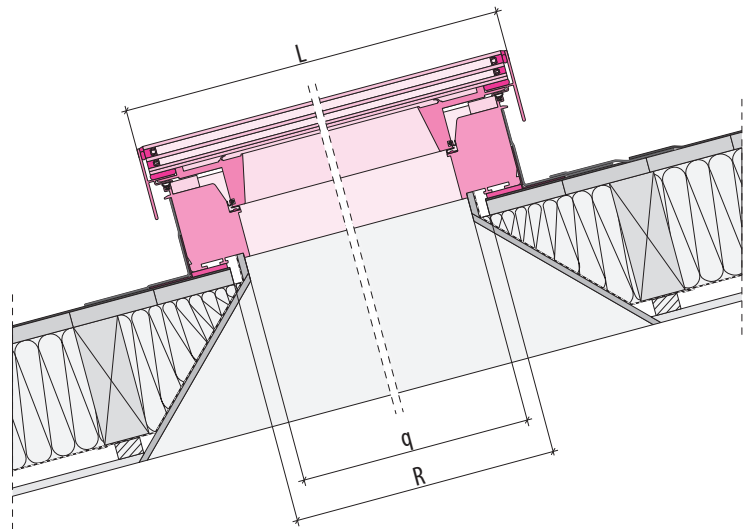
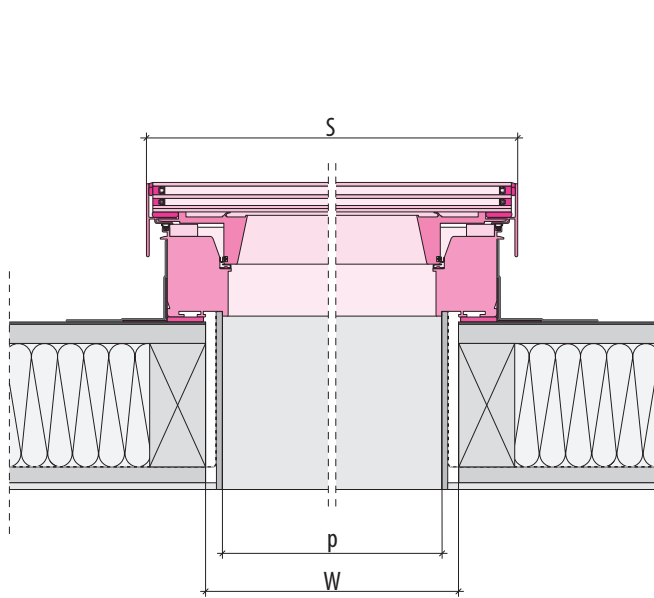


Features:

- suitable for roof pitches between 0-60 degrees
- infinity glass – virtually frameless surface
- low-emission and heat-reflecting double glazing or triple glazing with argon gas
- white finished PVC frame interior
- warm spacer increases condensation resistance
- channel built into the inner frame of the skylight collects moisture and drains it to the outside
- hardware included (bit torx t20 and installation screws #10 x 2 in.)

V. DIMENSIONS

| | | | | | | | | | | | |
|---------------------------|-----------------|-----------------|-----------------|-------------|-----------------|-----------------|------------------|------------------|-------------------|-----------------|-----------------|
| | | | | | | | | | | | |
| Size | 14 1/2 x 45 3/4 | 21 x 26 7/8 | 21 x 37 7/8 | 21 x 45 3/4 | 21 x 54 7/16 | 21 x 70 1/4 | 30 1/16 x 37 7/8 | 30 1/16 x 45 3/4 | 30 1/16 x 54 7/16 | 44 1/4 x 26 7/8 | 44 1/4 x 45 3/4 |
| Rough opening (WxR) | 14 1/2 x 45 3/4 | 21 x 26 7/8 | 21 x 37 7/8 | 21 x 45 3/4 | 21 x 54 7/16 | 21 x 70 1/4 | 30 1/16 x 37 7/8 | 30 1/16 x 45 3/4 | 30 1/16 x 54 7/16 | 44 1/4 x 26 7/8 | 44 1/4 x 45 3/4 |
| Frame external size (SxL) | 20 x 51 | 26 1/4 x 32 1/8 | 26 1/4 x 43 1/8 | 26 1/4 x 51 | 26 1/4 x 59 5/8 | 26 1/4 x 75 1/2 | 35 1/4 x 43 1/8 | 35 1/4 x 51 | 35 1/4 x 59 5/8 | 49 1/2 x 32 1/8 | 49 1/2 x 51 |



FAKRO America LLC
39 W. Factory Road, Addison, IL
Ph: 630-543-1010 / office@fakrousa.com