



**PRO BUILDER  
ATTIC  
LADDERS**  
CATALOG  
2026/2027

**FAKRO®**

# BASIC ECONOMY WOODEN & FIRE-RETARDANT FOLDING ATTIC LADDERS

5 MODELS AVAILABLE  
**LTA / LTT /  
 LFB / LFA /  
 LFT**



The **LTA, LTT, LFB, LFA,** and **LFT** models are pull-down attic ladders made of pine wood. Each features a 3-section folding design and a pull-down string for convenient operation. Select models include a sealed insulated door to help reduce heat loss, while the LFB model is non-insulated. Models vary by insulation level and include fire-retardant options.



The last step of the ladder placed high in the box.



Steel crossbar for increased strength of the entire structure.



Pull string for ladder operation.



increased distance between step and lid improves safety and comfort

FEATURES



plywood door, ready for paint



weather seal gasket



non-slip steps



handrail



simple installation

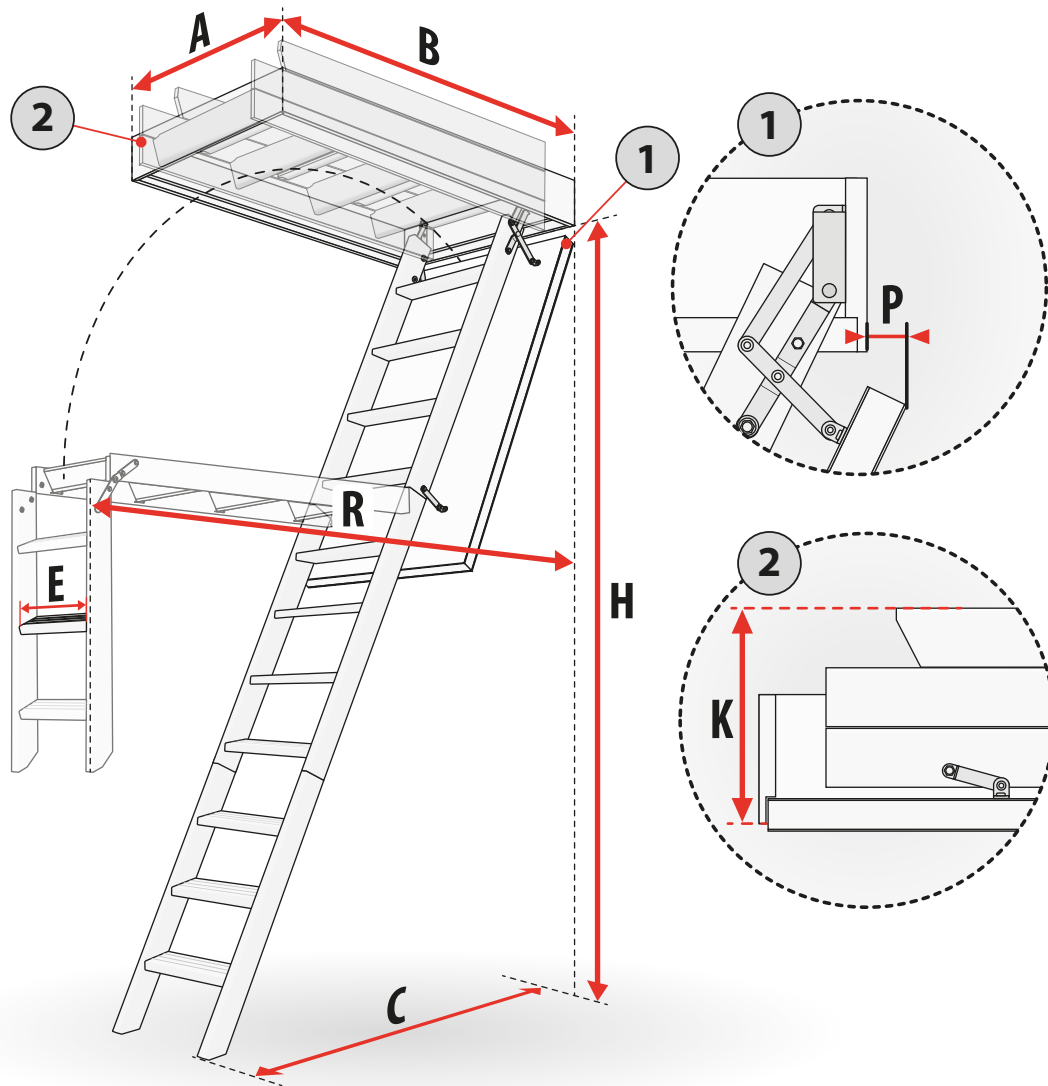


additional accessories available – pages 10-11






LTA	Insulated (R-5)
LTT	Insulated (R-10)
LFB	Fire-Retardant, Non-Insulated
LFA	Fire-Retardant, Insulated (R-5)
LFT	Fire-Retardant, Insulated (R-10)

MODEL	SIZE	22½ x 54	25 x 54	30 x 54
	LTA		869533	869534
LTT		869508	869509	869510
LFB		86Z129	86Z130	86Z131
LFA		869505	869506	869507
LFT		869502	869503	869504



**ATTIC LADDER DIMENSIONS**

				
<b>LTA/LTT/LFB/LFA/LFT</b>		22½ x 54	25 x 54	30 x 54
Ceiling height	H	7'11" – 10'4"		
Rough opening	AxB	22½"x54"	25"x54"	30"x54"
Outside frame dimensions		22"x53½"	24½"x53½"	29½"x53½"
Inside frame dimensions		20½"x51¾"	23"x51¾"	28"x51¾"
Frame height		5½"		
Folded ladder height	K	11¼"		
Projection	R	67"		
Landing space	C	50½"		
Board movement after opening	P	1¾"		
Approx. Weight (lbs)		66	72	76

Step width	E	13¾"
Step depth		3½"
Step thickness		7⁄8"
Distance between steps		9⁄8"
Number of steps		13

Available only in sizes given above.

# BASIC FIRE RETARDANT METAL FOLDING ATTIC LADDER

## LMF-R

**FIRE-RETARDANT INSULATED**

**5.6**  
R-value

max  
375  
lbs

The **LMF-R** is a fire-retardant metal attic ladder with an insulated door and folding sections. It's ideal for residential or light commercial use where added fire protection is needed. A built-in gasket reduces air leakage, and the handrail improves safety.



insulated, fire-retardant plywood door, ready for paint



weather seal gasket



handrail



adjustable ends with rubber caps



non-slip steps



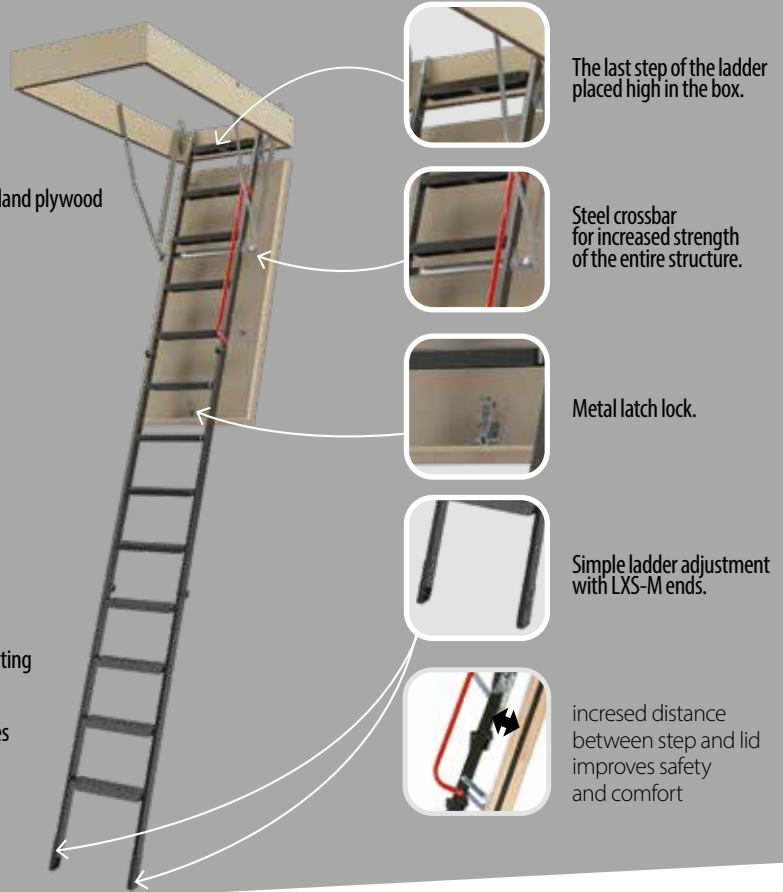
ladder length adjustment after cutting



additional accessories available – page 11

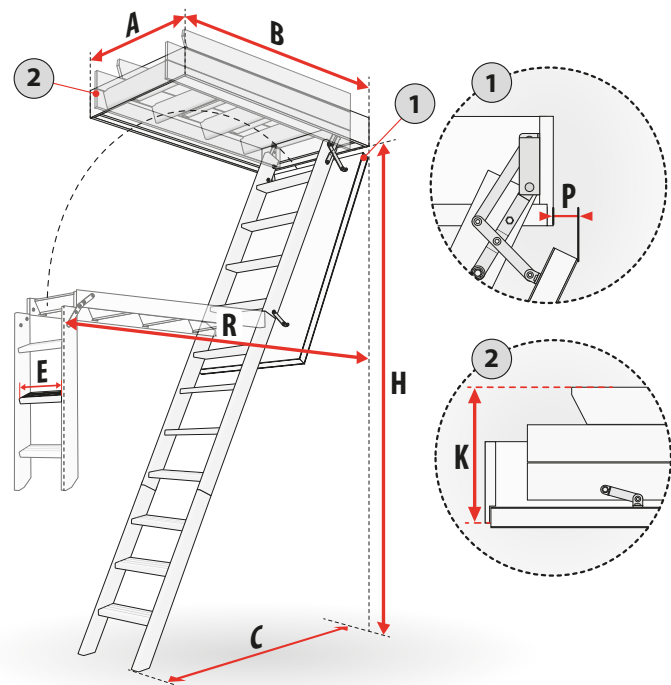


1 year warranty



### ATTIC LADDER DIMENSIONS

		22½ x 54	25 x 54	30 x 54
<b>LMF-R</b>		22½ x 54	25 x 54	30 x 54
<b>Manufacturer's part number</b>		869539	869540	869541
Ceiling height	H	8' – 10'3"		
Rough opening	AxB	22½"x54"	25"x54"	30"x54"
Outside frame dimensions		22"x53½"	24½"x53½"	29½"x53½"
Inside frame dimensions		20½"x51¾"	23"x 51¾"	28"x51¾"
Projection	R	66½"		
Landing space	C	51"		
Folded ladder height	K	10"		
Board movement after opening	P	1½"		
Frame height		5½"		
Approx. Weight (lbs)		74	76	83
Step width	E	13¾"		
Step depth		3⅝"		
Step thickness		1¼"		
Distance between steps		9⅞"		



Available only in sizes given above.

# BASIC FIRE RETADRANT METAL FOLDING ATTIC LADDER 12'



Installation brackets included.



insulated, fire-retardant plywood door, ready for paint



weather seal gasket



ladder length adjustment after cutting



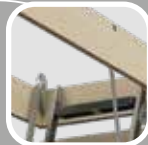
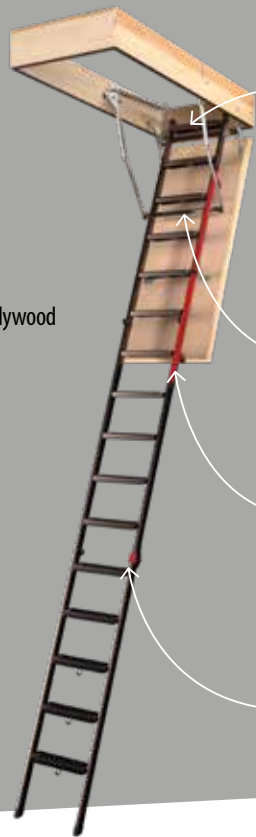
plastic ends



non-slip steps



1 year warranty



The last step of the ladder placed high in the box.



2 x steel crossbar for increased strength of the entire structure.



The unloading mechanism is integrated into the handrail, assisting with folding and unfolding the ladder.



Special lock prevents accidental folding.

## LMP-R 12'

FIRE-RETARDANT  
INSULATED



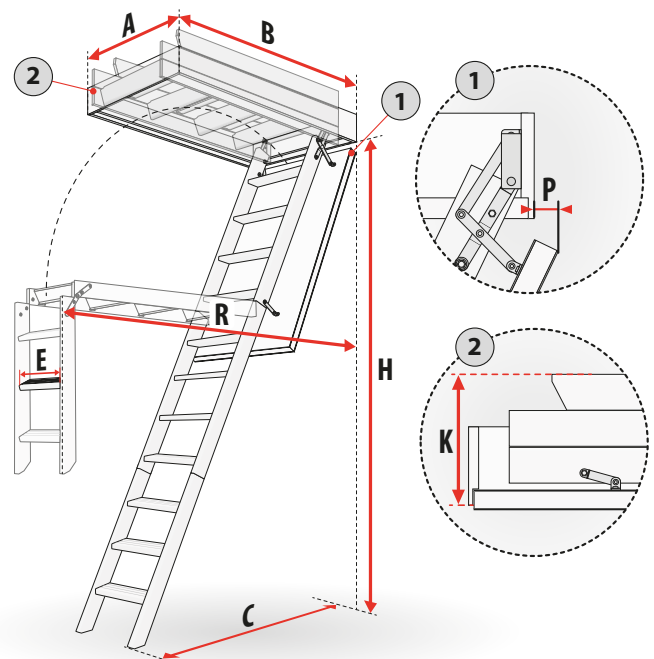
The **LMP-R** is a fire-retardant metal attic ladder designed for high ceilings, reaching up to 12 feet. It features an insulated door, durable metal construction, and is ideal for residential use.



increased distance between step and lid improves safety and comfort

## ATTIC LADDER DIMENSIONS

		22 1/2" x 56 1/2"	25" x 56 1/2"	30" x 56 1/2"
<b>LMP-R 12'</b>		22 1/2" x 56 1/2"	25" x 56 1/2"	30" x 56 1/2"
<b>Manufacturer's part number</b>		869519	869520	869521
Ceiling height	H	9'5" - 12'		
Rough opening	AxB	22 1/2" x 56 1/2"	25" x 56 1/2"	30" x 56 1/2"
Outside frame dimensions		22" x 56"	24 1/2" x 56"	29 1/2" x 56"
Inside frame dimensions		20 1/2" x 54 3/8"	22 7/8" x 54 3/8"	28" x 54 3/8"
Projection	R	78"		
Landing space	C	58"		
Folded ladder height	K	12 3/8"		
Board movement after opening	P	3/8"		
Frame height		7 1/8"		
Approx. Weight (lbs)		104	108	118
Step width	E	13 3/8"		
Step depth		3 1/8"		
Step thickness		1 1/4"		
Distance between steps		9 1/2"		



Available only in sizes given above.

# BASIC WOODEN FOLDING ATTIC LADDER

**LWB**

INSULATED

- FEATURES
- insulated door ready for paint
  - weather seal gasket
  - non-slip steps
  - handrail
  - additional accessories available – page 10-11
  - 1 year warranty

**5.0**  
R-value

max  
350  
lbs

**LWB+ upper hatch**  
Increase R-value  
with optional upper hatch



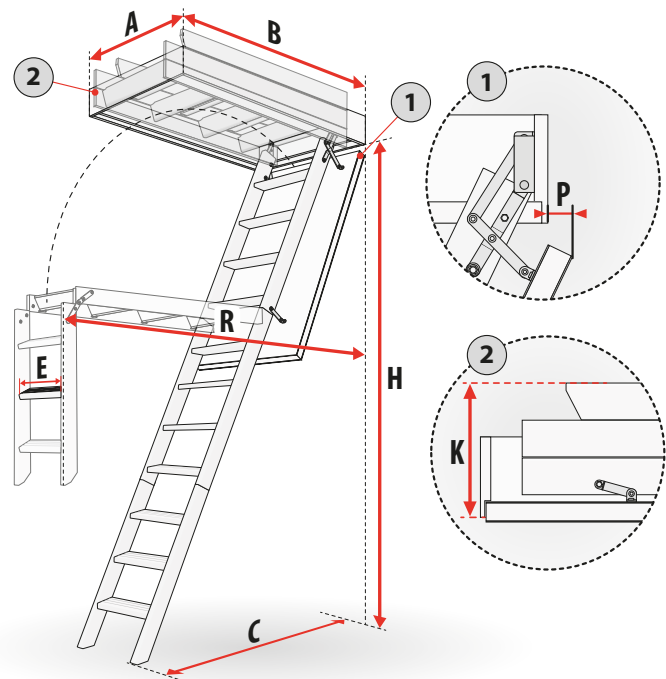
The **LWB** model is an insulated attic ladder built from pine wood. It provides easy access to attics without the hassle of using a big step ladder. Each ladder is equipped with a handrail, a door that keeps out the cold, and a special seal that prevents heat loss.



increased distance between step and lid improves safety and comfort

## ATTIC LADDER DIMENSIONS

<b>LWB</b>		22½ x 54	25 x 54	30 x 54
<b>Manufacturer's part number</b>		869193	869194	869195
Ceiling height	H	8' – 10'4"		
Rough opening	AxB	22½"x54"	25"x54"	30"x54"
Outside frame dimensions		22"x53½"	24½"x53½"	29½"x53½"
Inside frame dimensions		20½"x51¾"	23"x51¾"	28"x51¾"
Projection	R	67½"		
Landing space	C	50½"		
Folded ladder height	K	10⅞"		
Board movement after opening	P	1½"		
Frame height		5½"		
Approx. Weight (lbs)		63	64	67
Step width	E	13⅜"		
Step depth		3⅞"		
Step thickness		7⁄8"		
Distance between steps		9⅞"		



Available only in sizes given above.

# BASIC METAL FOLDING ATTIC LADDER

## FEATURES



insulated door ready for paint



weather seal gasket



plastic ends



non-slip steps



handrail



additional accessories available – page 11



1 year warranty



3.7 R-value

max 375 lbs

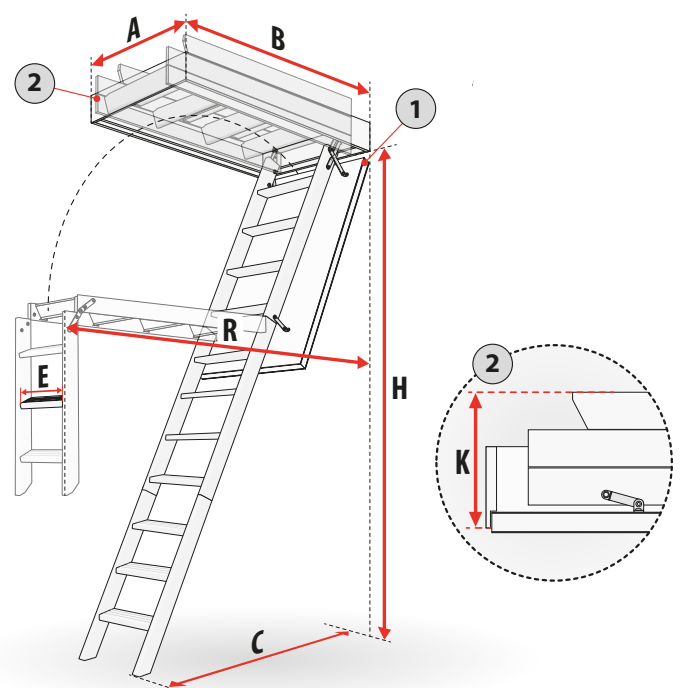
**LMB**  
BASIC  
-INSULATED

The **LMB** model is a basic insulated metal attic ladder. This reliable ladder provides easy access to your attic space with its convenient handrail, insulated door, and weather seal gasket. Designed for functionality and energy efficiency, it ensures both safety and comfort.



increased distance between step and lid improves safety and comfort

		22½" x 54"	25" x 54"	30" x 54"
<b>LMB</b>		22½" x 54"	25" x 54"	30" x 54"
<b>Manufacturer's part number</b>		869263	869264	869265
Ceiling height	H	7'9⅞" – 10'3"		
Rough opening	AxB	22½"x54"	25"x54"	30"x54"
Outside frame dimensions		22"x53½"	24½"x53½"	29½"x53½"
Inside frame dimensions		20½"x51¾"	23"x51¾"	28"x51¾"
Projection	R	65⅝"		
Landing space	C	50½"		
Folded ladder height	K	9½"		
Frame height		5½"		
Approx. Weight (lbs)		70	72	79
Step width	E	13⅜"		
Step depth		3⅞"		
Step thickness		1¼"		
Distance between steps		9⅞"		



Available only in sizes given above.

# KNEE WALL ACCESS DOORS

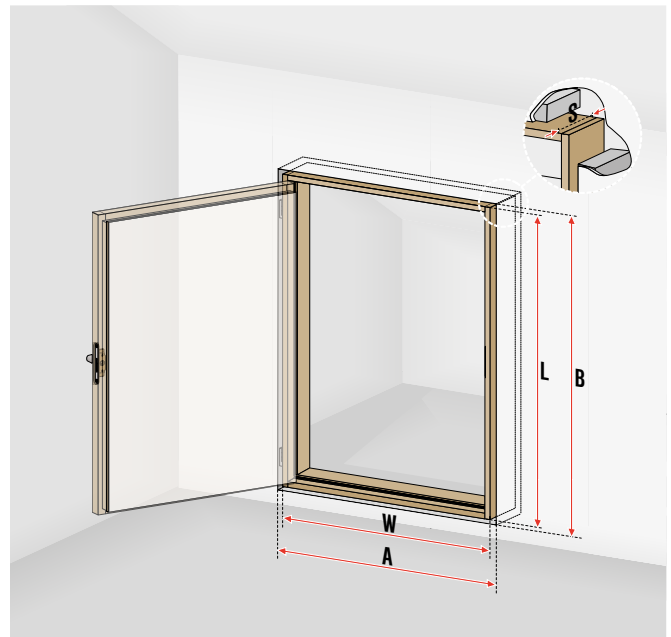


**Knee wall access doors** provide convenient entry to storage areas hidden behind partition walls. They help maximize the use of otherwise unused space in various parts of a home. Available in 3 different models:

**DWK Insulated R-5.2**

**DWT Thermo R-10**




**DWF60 Fire-rated 60-min R-12**



Size	21 x 31	27 x 35	27 x 43
<b>DWK manufacturer's part number</b>	<b>869479</b>	<b>869480</b>	<b>869481</b>
<b>DWT manufacturer's part number</b>	<b>869482</b>	<b>869483</b>	<b>869484</b>
<b>DWF60 manufacturer's part number</b>	<b>869485</b>	<b>869486</b>	<b>869487</b>
Rough opening	AxB 21½"x31¼"	27½"x35¼"	27½"x43¼"
Outside frame dimensions	WxL 21"x31"	27"x35"	27"x43"
Inside frame dimensions	19"x29"	25"x33"	25"x41"

# KNEE WALL ACCESS DOORS






-  1 3/8" insulated door with white finish
-  weather seal gasket
-  3 years warranty

## DWK INSULATED

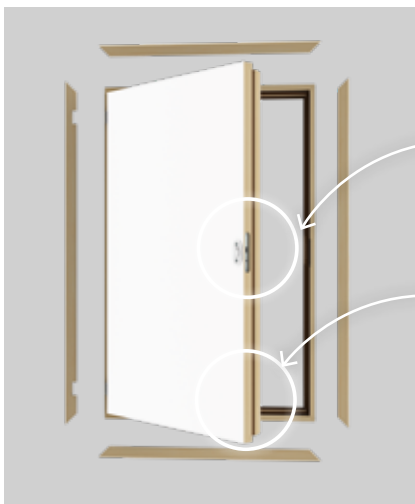
**5.2**  
R-VALUE



-  2 3/8" insulated door with white finish
-  weather seal gasket
-  3 years warranty

## DWT SUPER THERMO INSULATED

**10**  
R-VALUE



-  T-shaped removable key handle
-  Heat-activated gasket blocks smoke and flames
-  3 years warranty
-  3 3/8" insulated door with white finish
-  two weather seal gaskets

## DWF60 FIRE-RATED

**Certified**  
fire rated

**12**  
R-VALUE

# ACCESSORIES

## LXR-T PULL-DOWN ROD CONVERSION KIT

The LXR-T kit is designed to replace the standard pull cord with a pull-down rod and hook for easier and more convenient attic ladder operation.

Compatible with the following models: LTA, LTT, LFB, LFA, and LFT

The kit includes:

- Wooden rod with a plastic hook (3'11 1/4")
- Metal hook with mounting nut for installation in the attic ladder door

Pull-down kit	LXR-T
Manufacturer's part number	869582



## LXS ENDS

Plastic end caps add a stylish touch to the appearance of wooden ladders. The unique design and shape significantly boost the ladder's stability. Each pack includes two pieces.

Compatible with the following models: LTA, LTT, LFB, LFA, LFT and LWB.

Plastic end caps	LXS
Manufacturer's part number	62027



## LXS-W STILE ENDS

Silver stile ends are compatible with wooden ladders and serve as an alternative to the LXS model. They provide the option to extend the length of the ladder. Additionally, the stile ends offer protection to the ladder stringers, preventing damage. By applying a rubber cap, the risk of floor scratching is minimized, while also enhancing user comfort.

**Note: compatible with attic ladder models: LTA, LTT, LFB, LFA, LFT and LWB.**  
**The maximum height by which the ladder can be extended depends on the specific ladder model.**

Metal ends	LXS-W
Manufacturer's part number	66135



# LXW-B UPPER HATCH

The upper hatch is a great solution to improve insulating parameters of an attic ladder. R-value can be improved by 100% for some ladder models (details are shown on the specific model page). In addition, the upper hatch also prevents dust from accumulating on the hatch and steps of the closed attic ladder. The height of the upper hatch box is 7¾" and the hatch thickness is 1¾". Available for ladders LTA, LTT, LFB, LFA, LFT, LMF-R, LMP-R, LWB, and LMB.

**Note: while ordering the LXW-B please provide ladder model and size.**

Manufacturer's part number	869704	869705	869706	869273	869274	869275
Size	22,5"x54"	25"x54"	30"x54"	22,5"x56,5"	25"x56,5"	30"x56,5"



# LXM-M UNLOADING MECHANISM

The LXM-M unloading mechanism assists in folding and unfolding attic stair ladders, thereby enhancing comfort and safety during use. Once the mechanism and the included hook are installed, the ladder can be operated entirely from the floor using a rod, reducing the need for direct overhead handling. Can be added to ladders with a width of 25 in or 30 in. Compatible with LTA, LTT, LFB, LFA, LFT, LMF-R, and LMB attic ladders.

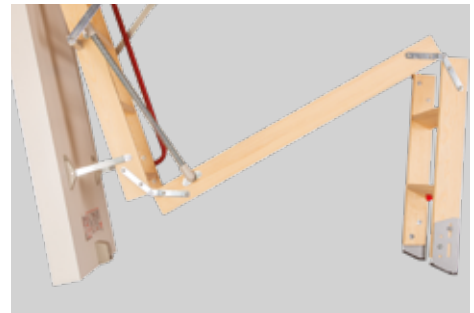
Unloading mechanism	LXM-M
Manufacturer's part number	869297



# LXM-W UNLOADING MECHANISM

The LXM-W unloading mechanism assists in folding and unfolding metal attic stair ladders, enhancing overall comfort and safety. Once installed with the included hook, you can operate the ladder entirely from the floor using a rod, minimizing the need for overhead reach. Can be added to ladders with a width of 25 in or 30 in. Compatible with LWB attic ladders.

Unloading mechanism	LXM-W
Manufacturer's part number	869196



See the full range of Attic Ladders and Skylights by scanning the QR code or visiting [www.fakrousa.com](http://www.fakrousa.com)



FAKRO AMERICA LLC  
39 West Factory Road  
Addison, IL 60101  
tel: (630) 543-1010  
fax: (630) 543-1011  
[www.fakrousa.com](http://www.fakrousa.com)  
e-mail: [sales@fakrousa.com](mailto:sales@fakrousa.com)