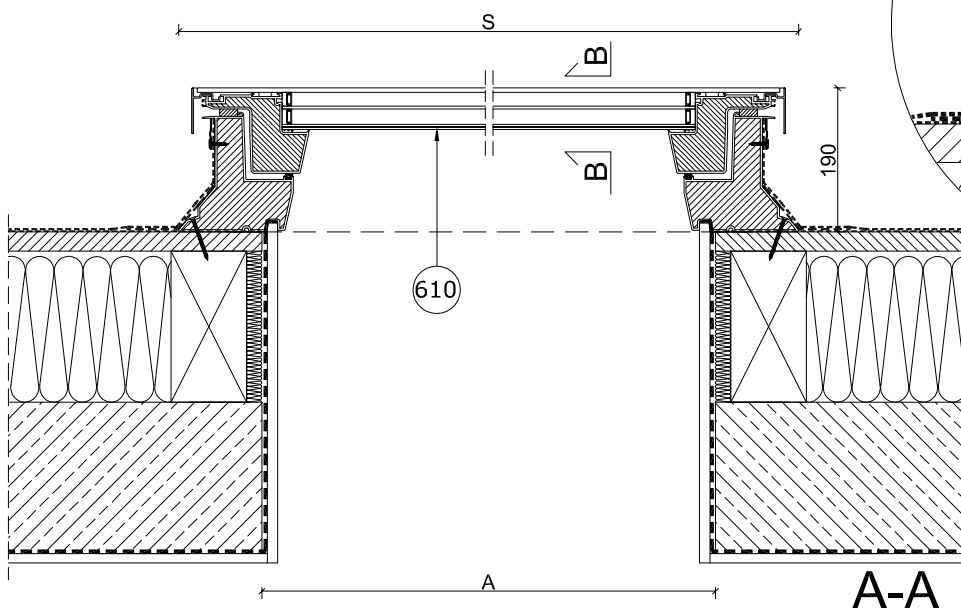
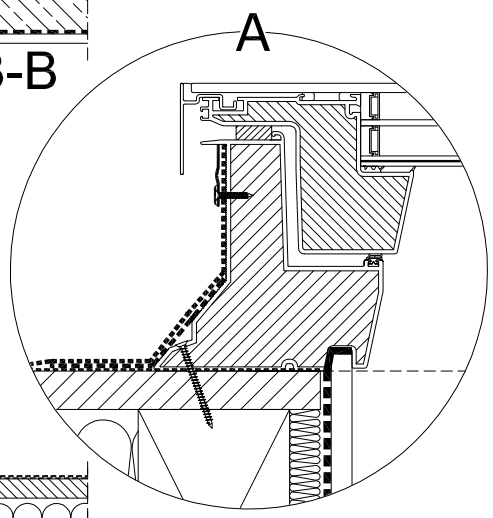


B-B

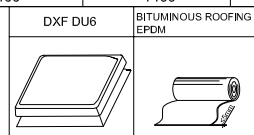


A-A



610-DXF DU6 Flat Roof Window, non-opened, Flat, DU6 glazing unit

DXF DU6				
A[mm]	B[mm]	Window symbol	S[mm]	L[mm]
600	600	01	820	820
	900	02	820	1120
700	700	03	920	920
800	800	04	1020	1020
900	900	05	1120	1120
	1200	06	1120	1420
1000	1000	07	1220	1220
	1500	10	1220	1720
	1200	08	1420	1420
1200	2200	11	1420	2420
	1400	09	1620	1620



Warning! The present drawing is for informational-demonstrative purposes only and as such cannot constitute a basis for performance. All dimensions presented in this drawing should be verified on site. Because of the fact that the drawing is a schematic one, FAKRO shall not assume any responsibility for the actual installation quality on the roof. This drawing is FAKRO's property and cannot be published or used publicly without our written consent.

Vertical and horizontal cross-section:  
DXF DU6 Flat Roof Window, non-opened,  
Flat, DU6 glazing unit

FORMAT:  
A4

SCALE:  
1:10/1:5

DATE:  
08.2014