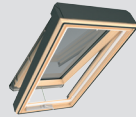


TECHNICAL SPECIFICATION

Manual Venting Skylight FV

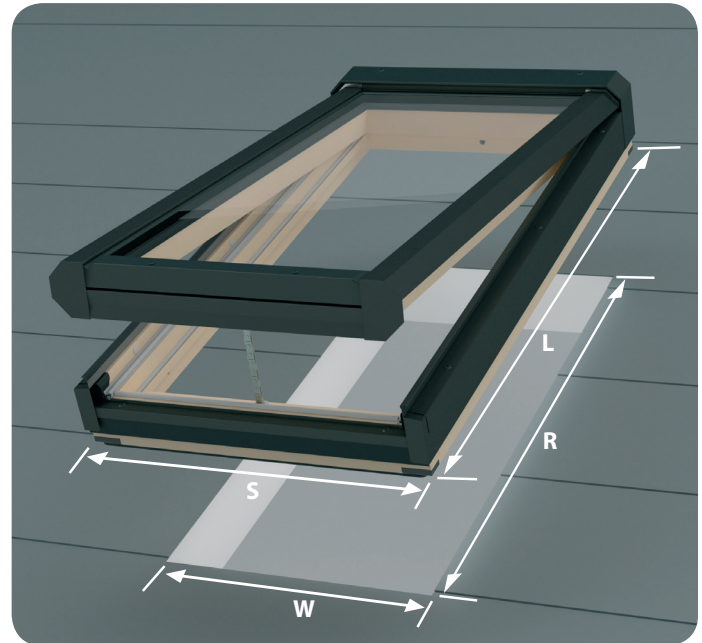


I. APPLICATION

Installation	required roof pitch 15°-85°
	deck mounted

II. FEATURES

Frame material	Pine - Pressure Treated
Frame finish	Two layers of clear acrylic lacquer
Glazing	G31 - Low-E tempered over laminated - double-pane glazing unit with warm TGI spacer and Argon gas
Gaskets System	Three rubber gaskets
Control	Crank (included) or SZS control rod (not included)
Warranty	10 years for skylight and glazing



III. TECHNICAL PARAMETERS

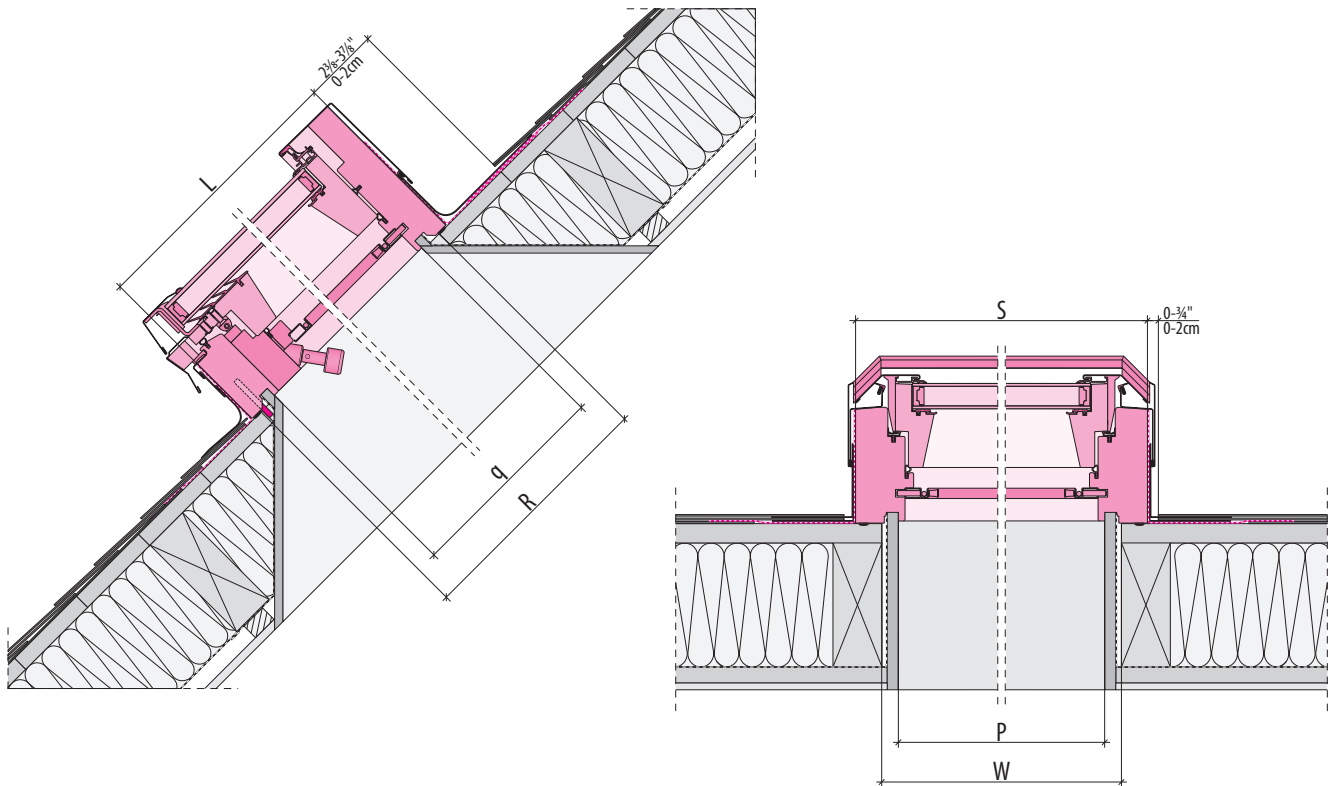
Technical parameters	Glazing unit type	
	Unit	G31
U-factor	[BTU/h ft²F]	0.41
Ug for glazing unit	[BTU/h ft²F]	0.19
Solar Heat Gain Coefficient	-	0.19
Air Leakage	[cfm/ft²] @ 1.57 psf, tested size 24x70	0.06
Visible Transmittance	-	0.36
UV protection	-	99.8
Condensation Resistance	-	53
Water Penetration Resistance Test Pressure	[Pa]	730
Wind load resistance	Class C1/B1	
Impact resistance	Class 3 - 450 mm	

IV. ADDITIONAL PRODUCTS TO BE USED

Flashings	EH - for roof tiles, corrugated metal and standing seam EL - for shingles and shakes
Included mounting accessories	- Bit PZ2 50mm length - Bit PZ3 50 mm length - Nail 2,5x25 - Base pin - Countersunk head screws
External accessories	- SMZ solar awning blind
Internal accessories	- SRF blackout blind, SRP light reducing blind - Hex Ball adapter for control rod - SZS control rod

V. DIMENSIONS

Size		301	304	306	308	312	504	506	508	801	806
		24/27	24/38	24/46	24/55	24/70	32/38	32/46	32/55	48/27	48/46
Rough opening (WxR)	in.	22 ¹ / ₂ x 26 ¹ / ₂	22 ¹ / ₂ x 37 ¹ / ₂	22 ¹ / ₂ x 45 ¹ / ₂	22 ¹ / ₂ x 54	22 ¹ / ₂ x 70	30 ¹ / ₂ x 37 ¹ / ₂	30 ¹ / ₂ x 45 ¹ / ₂	30 ¹ / ₂ x 54	46 ¹ / ₂ x 26 ¹ / ₂	46 ¹ / ₂ x 45 ¹ / ₂
	mm	568 x 678	568 x 957	568 x 1157	568 x 1376	568 x 1776	771 x 957	771 x 1157	771 x 1376	1177 x 678	1177 x 1157
Outside frame (SxL)	in.	24 ¹ / ₂ x 27 ¹ / ₂	24 ¹ / ₂ x 38 ¹ / ₂	24 ¹ / ₂ x 46 ³ / ₈	24 ¹ / ₂ x 55	24 ¹ / ₂ x 70 ³ / ₄	32 ¹ / ₂ x 38 ¹ / ₂	32 ¹ / ₂ x 46 ³ / ₈	32 ¹ / ₂ x 55	48 ¹ / ₂ x 27 ¹ / ₂	48 ¹ / ₂ x 46 ³ / ₈
	mm	623 x 699	623 x 978	623 x 1178	623 x 1397	623 x 1797	826 x 978	826 x 1178	826 x 1397	1232 x 699	1232 x 1178
Daylight area (glass)	sq. ft.	2.58	3.98	4.95	6.03	7.97	5.70	7.10	8.61	5.92	11.41
	m ²	0.24	0.37	0.46	0.56	0.74	0.53	0.66	0.80	0.55	1.06



FAKRO America LLC
39 W. Factory Road, Addison, IL
Ph: 630-543-1010 / office@fakrousa.com