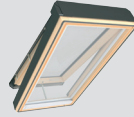
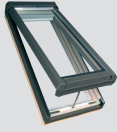


TECHNICAL SPECIFICATION

Electric Venting Skylight FVE



I. APPLICATION

Installation	required roof pitch 15°-85°
	deck mounted

II. FEATURES

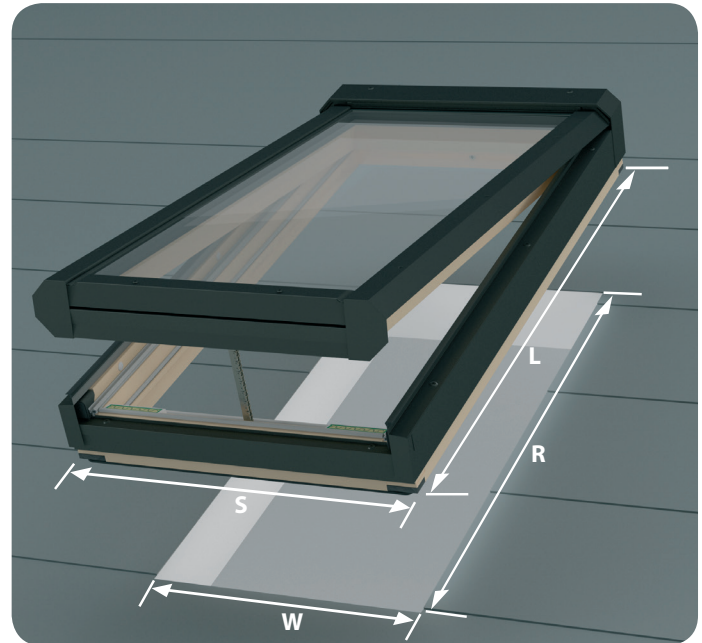
Frame material	Pine - Pressure Treated
Frame finish	Two layers of clear acrylic lacquer
Glazing	G31 - Low-E tempered over laminated - double-pane glazing unit with warm TGI spacer and Argon gas
Rain sensor	Automatically closes the skylight in case of rain
Gaskets System	Three rubber gaskets
Control	Remote control (z-wave radio communication)
Warranty	10 years for skylight and glazing, 2 years on electric motor and remote control

III. TECHNICAL PARAMETERS

Technical parameters	Glazing unit type	
	Unit	G31
U-factor	[BTU/h ft ² F]	0.41
Ug for glazing unit	[BTU/h ft ² F]	0.18
Solar Heat Gain Coefficient	-	0.19
Air Leakage	[cfm/ft ²] @ 1,57 psf, tested size 24x70	0.04
Visible Transmittance	-	0.36
UV protection	-	99.8
Condensation Resistance	-	53
Water Penetration Resistance Test Pressure	[Pa]	730
Wind load resistance	Class C1/B1	
Impact resistance	Class 3 - 450 mm	

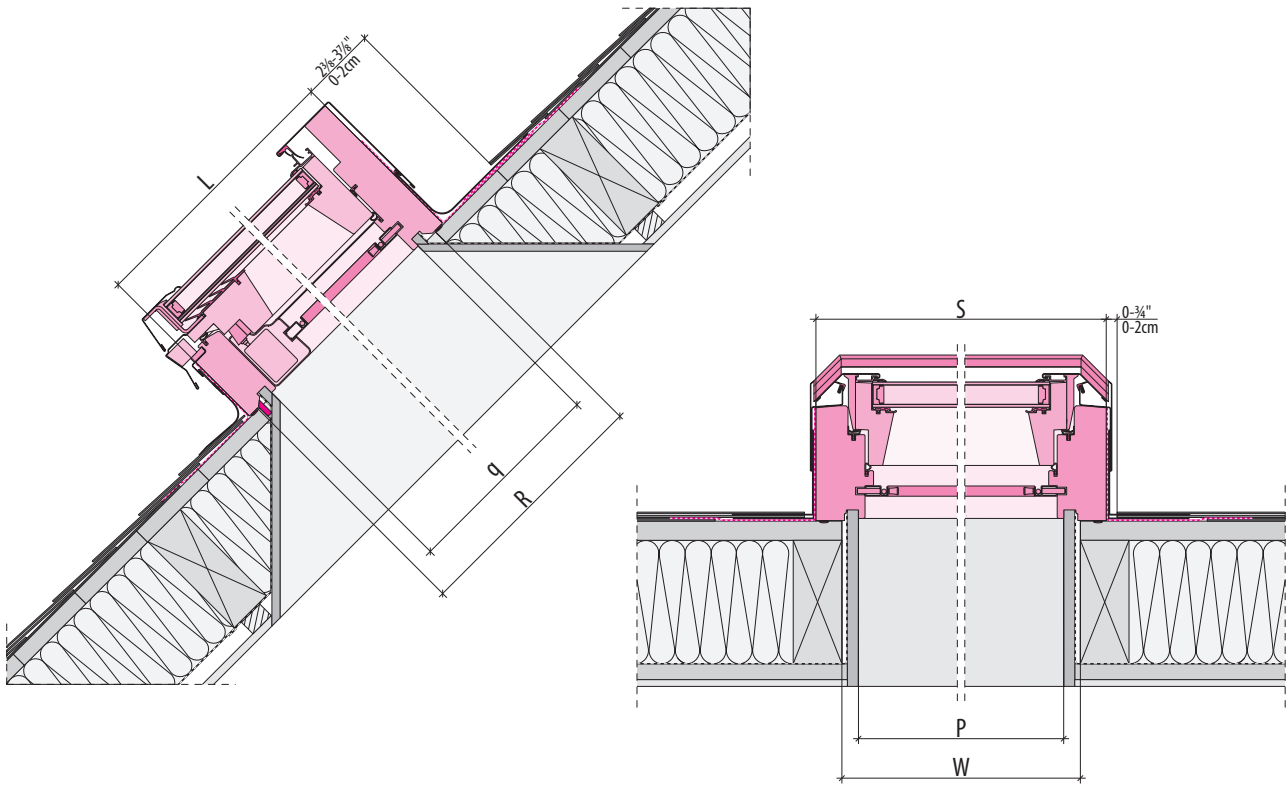
IV. ADDITIONAL PRODUCTS TO BE USED

Flashings	EH - for roof tiles, corrugated metal and standing seam EL - for shingles and shakes
Ice and Water Guard	- Fakro Euroband or similar self adhesive underlayment
Included mounting accessories	- Bit PZ2 50mm length - Bit PZ3 50 mm length - Nail 2,5x25mm - Base pin - Countersunk head screw 4x30 A2 RAL 7022 - Countersunk head screw 6x200 galvanized PZ3
External accessories	- SMZ solar awning blind
Internal accessories	- SRF blackout blind, SRP light reducing blind



V. DIMENSIONS

Size		301	304	306	308	312	504	506	508	801	806
		24/27	24/38	24/46	24/55	24/70	32/38	32/46	32/55	48/27	48/46
Rough opening (WxR)	in.	22 ¹ / ₂ x 26 ¹ / ₂	22 ¹ / ₂ x 37 ¹ / ₂	22 ¹ / ₂ x 45 ¹ / ₂	22 ¹ / ₂ x 54	22 ¹ / ₂ x 70	30 ¹ / ₂ x 37 ¹ / ₂	30 ¹ / ₂ x 45 ¹ / ₂	30 ¹ / ₂ x 54	46 ¹ / ₂ x 26 ¹ / ₂	46 ¹ / ₂ x 45 ¹ / ₂
	mm	568 x 678	568 x 957	568 x 1157	568 x 1376	568 x 1776	771 x 957	771 x 1157	771 x 1376	1177 x 678	1177 x 1157
Outside frame (SxL)	in.	24 ¹ / ₂ x 27 ¹ / ₂	24 ¹ / ₂ x 38 ¹ / ₂	24 ¹ / ₂ x 46 ³ / ₈	24 ¹ / ₂ x 55	24 ¹ / ₂ x 70 ³ / ₄	32 ¹ / ₂ x 38 ¹ / ₂	32 ¹ / ₂ x 46 ³ / ₈	32 ¹ / ₂ x 55	48 ¹ / ₂ x 27 ¹ / ₂	48 ¹ / ₂ x 46 ³ / ₈
	mm	623 x 699	623 x 978	623 x 1178	623 x 1397	623 x 1797	826 x 978	826 x 1178	826 x 1397	1232 x 699	1232 x 1178
Daylight area (glass)	sq. ft.	2.58	3.98	4.95	6.03	7.97	5.70	7.10	8.61	5.92	11.41
	m ²	0.24	0.37	0.46	0.56	0.74	0.53	0.66	0.80	0.55	1.06



FAKRO America LLC
39 W. Factory Road, Addison, IL
Ph: 630-543-1010 / office@fakrousa.com