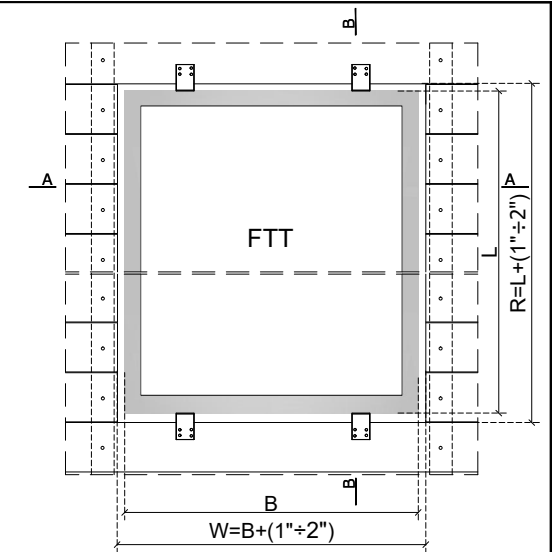
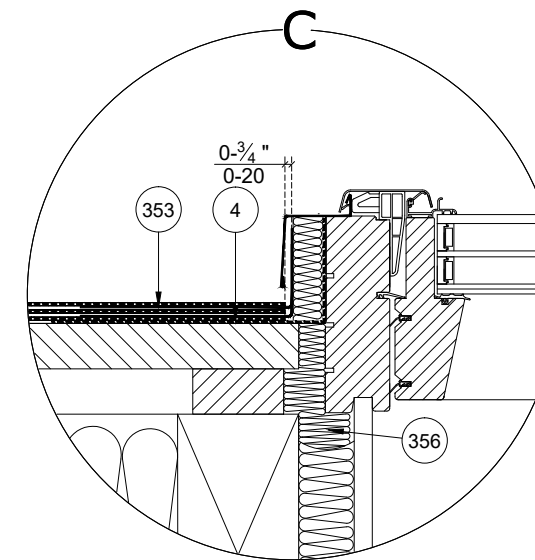
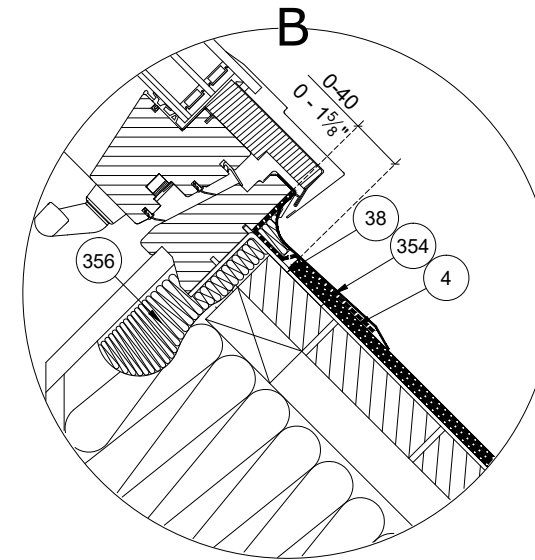
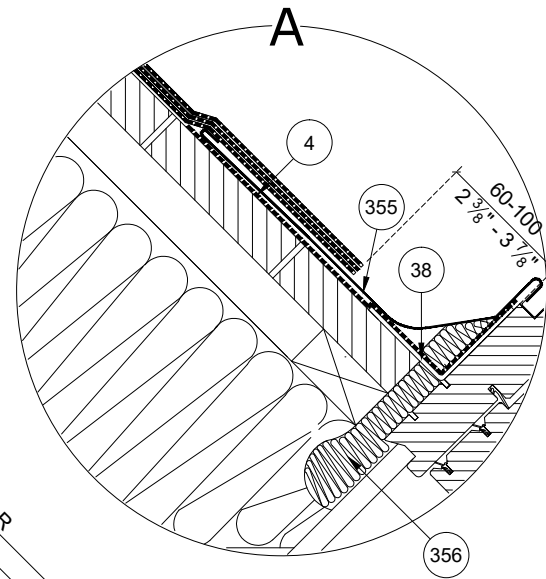
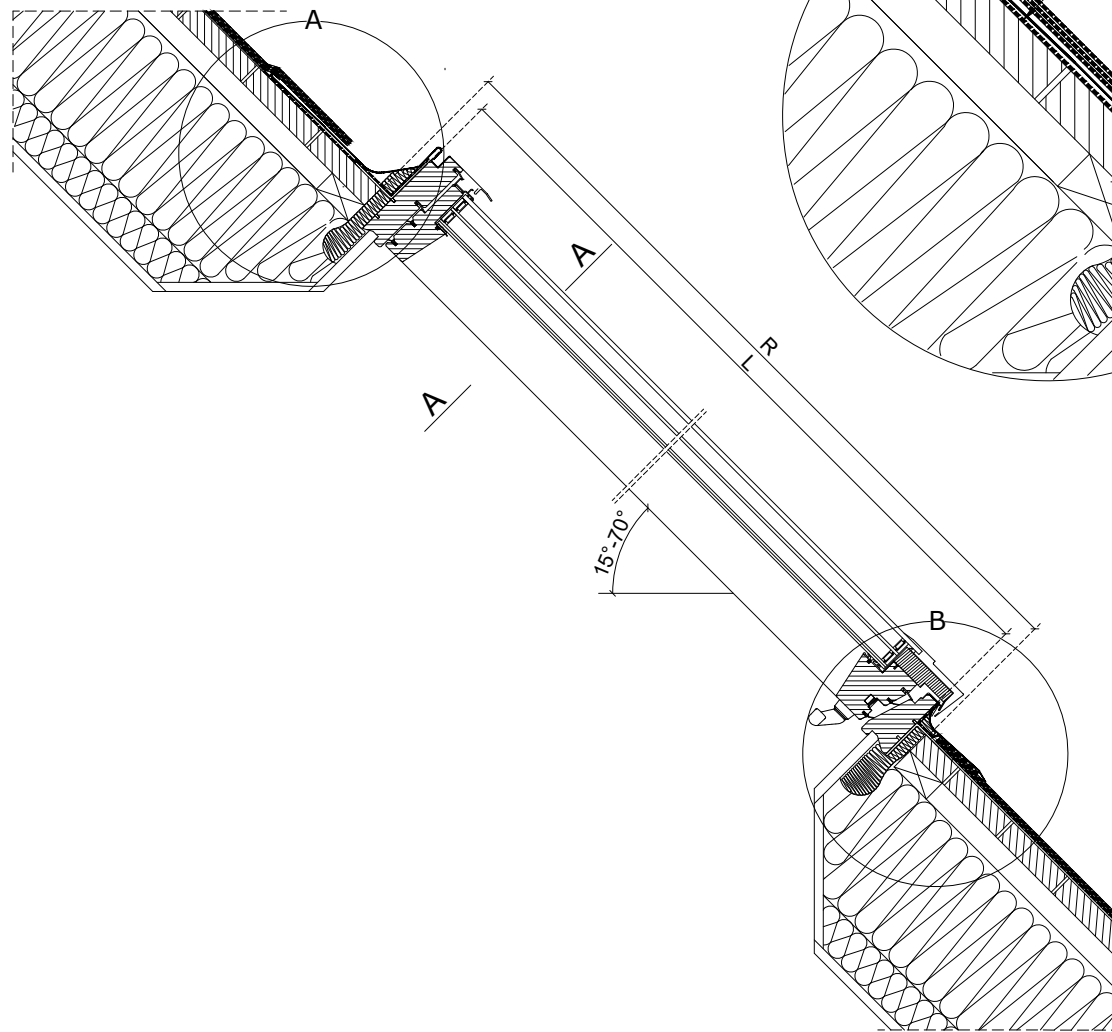
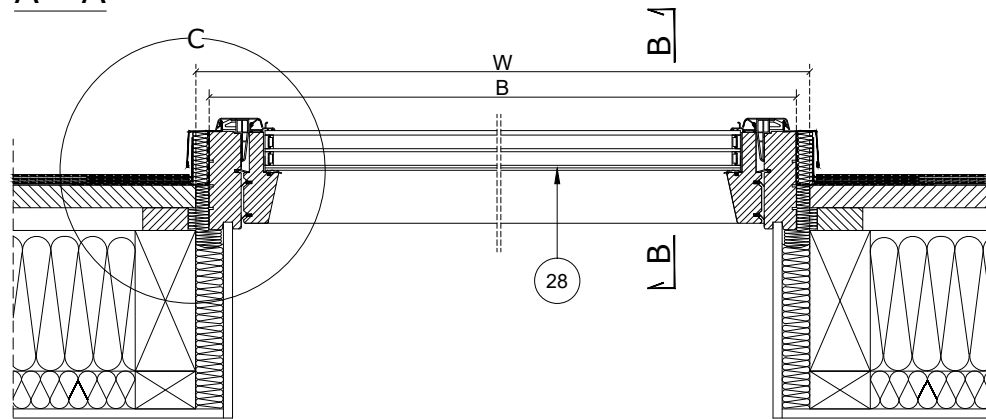


B - B



A - A

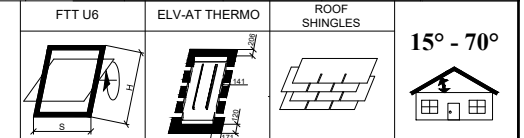


- 4- ice and water guard by others
- 28-FTT U6 pivot window FAKRO
- 38-Installation bracket
- 353-ELV-AT THERMO flashing side element FAKRO
- 354-ELV-AT THERMO flashing lower element FAKRO
- 355-ELV-AT THERMO flashing upper element FAKRO
- 356-Thermal insulation by others

**FTT U6 THERMO - DIMENSIONS**

Window size[in]	B [in]	B [mm]	L [in]	L [mm]	Rough opening			
					W [in]	W [mm]	R [in]	R [mm]
22x38	21 1/2	547	38 5/8	981	22 1/2	571	39 1/2	1000
30x46	30 3/4	777	46 1/2	1181	32 1/4	817	48	1220
30x55	30 3/4	777	55	1401	32 1/4	817	56 1/2	1440

**FAKRO**



Vertical and horizontal cross-section:  
FTT U6 roof windows with ELV-AT THERMO  
flashing for roof shingles

FORMAT: A3  
SCALE: 1:10/1:5  
DATE: 10.2019

Warning! The present drawing is for informational-demonstrative purposes only and as such cannot constitute a basis for performance. All dimensions presented in this drawing should be verified on site. Because of the fact that the drawing is a schematic one, FAKRO shall not assume any responsibility for the actual installation quality on the roof. This drawing is FAKRO's property and cannot be published or used publicly without our written consent.