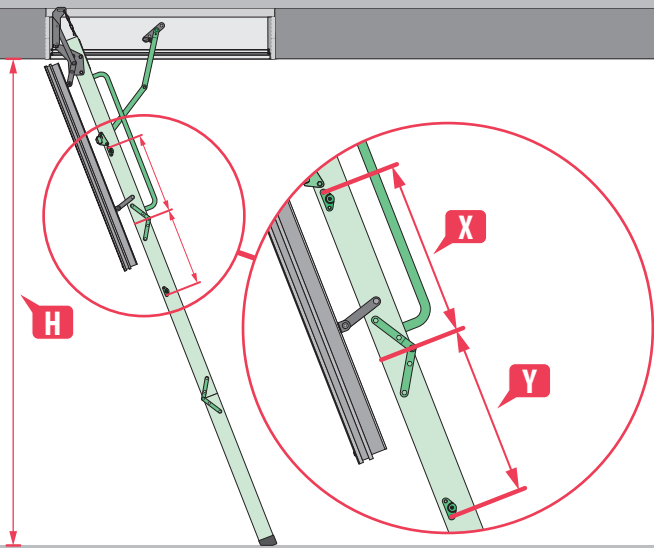


LXM-W

INSTALLATION POINTS



Model*	H [inch]	X [inch]	Y [inch]
LWB LWF-R LWF-R Insulated 10' 4"	min. H = 8'	5 1/2	22 5/8
	8' - 8' 6 7/8"	5 11/16	23 1/4
	8' 6 7/8" - 8' 8 7/8"	6 1/8	23 5/8
	8' 8 7/8" - 9' 4 3/8"	6 1/2	23 13/16
	9' 4 3/8" - 9' 6 1/8"	6 7/8	24
	9' 6 1/8" - 10' 4"	7 3/16	24 7/16
LWF-R LWF-R Insulated 10' 8"	H min = 8' 9 1/2"	5 11/16	24 1/8
	8' 9 1/2" - 9' 4 1/4"	23 5/8	6 3/8
	9' 4 1/4" - 9' 6 1/8"	25 3/8	6 1/8
	9' 6 1/8" - 10' 1 1/2"	25 3/8	6 3/8
	10' 1 1/2" - 10' 3 3/8"	7 9/16	24 1/8
	10' 3 3/8" - 10' 8"	7 11/16	24 1/8
LTK Energy 9' 2"	H Min = 7' 8 1/2"	5 5/16	22 7/16
	7' 8 1/2" - 8' 2 1/8"	5 9/16	22 13/16
	8' 2 1/8" - 8' 3 7/8"	5 7/8	23 1/4
	8' 3 7/8" - 9' 2"	6 5/16	23 7/16

* only for sizes 25"x... and 30"x...

Model*	H [inch]	X [inch]	Y [inch]
LTK Energy 10' 1/4"	H min. 7' 11 1/2"	5 1/2	22 3/4
	7' 11 1/2" - 8' 5"	5 7/8	23 1/16
	8' 5" - 8' 7 1/8"	6 1/4	23 7/16
	8' 7 1/8" - 9' 2 3/8"	6 1/2	23 13/16
	9' 2 3/8" - 9' 4 3/8"	6 13/16	24
	9' 4 3/8" - 10' 1/4"	7 1/16	24 3/16
LWF60			

* only for sizes 25"x... and 30"x...